

FIG. 1

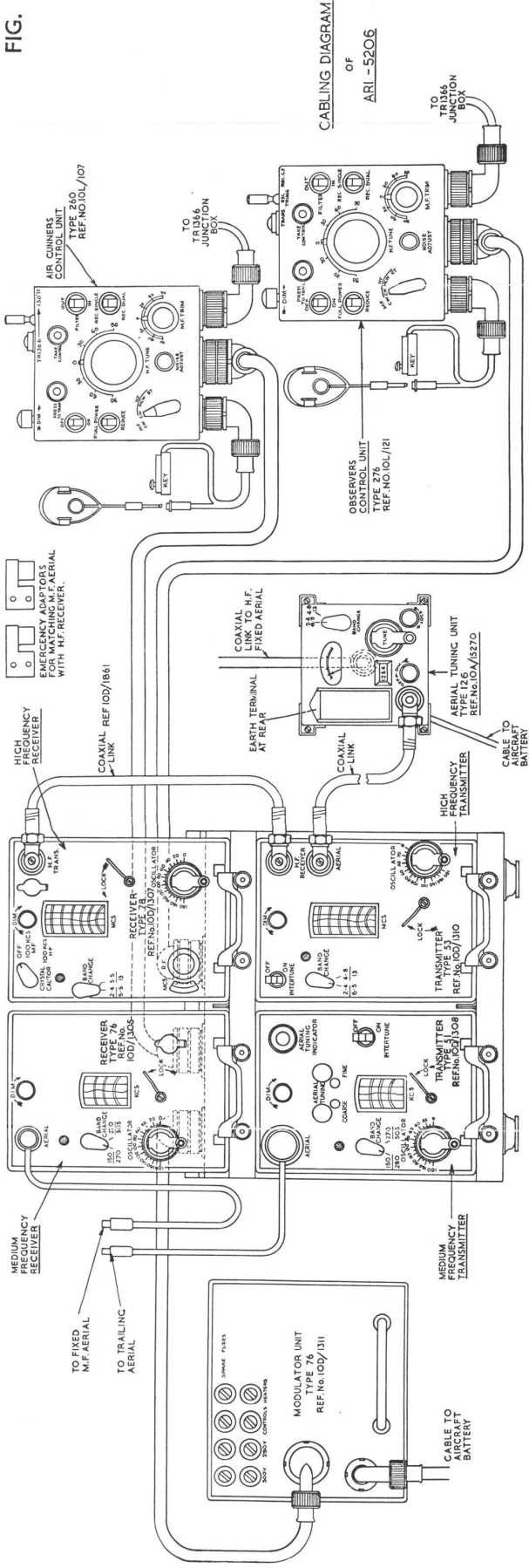
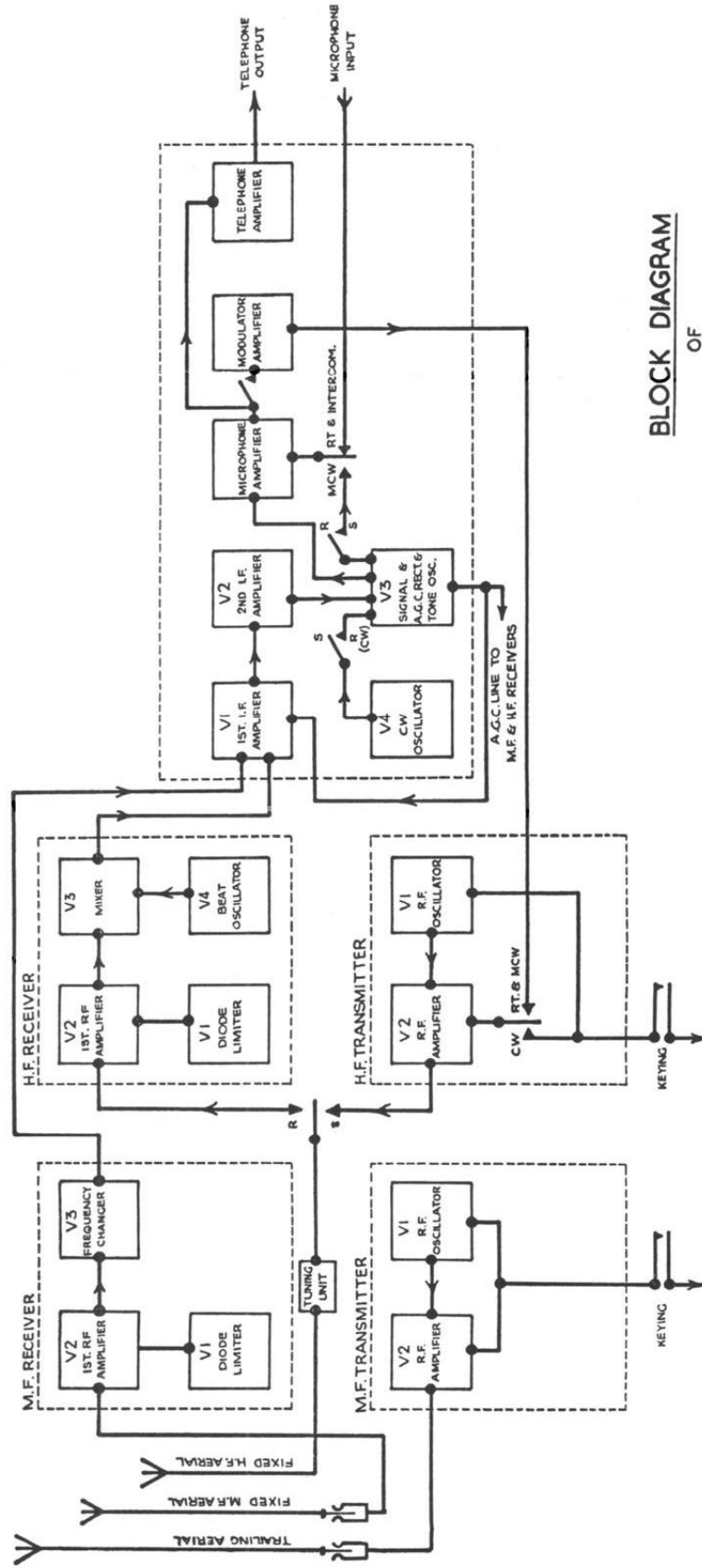


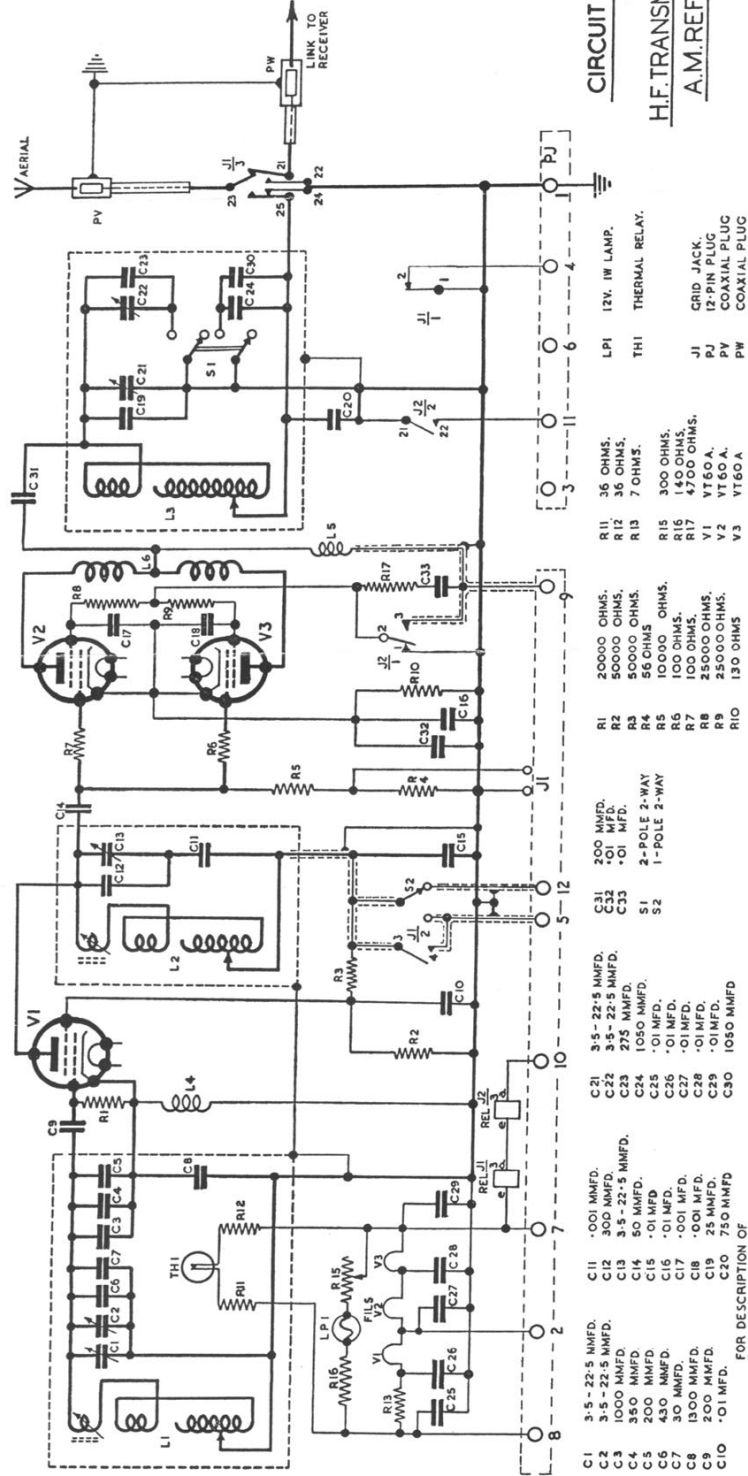
FIG. 2



BLOCK DIAGRAM  
OF  
ARI.5206

FIG. 3

26 VOLT



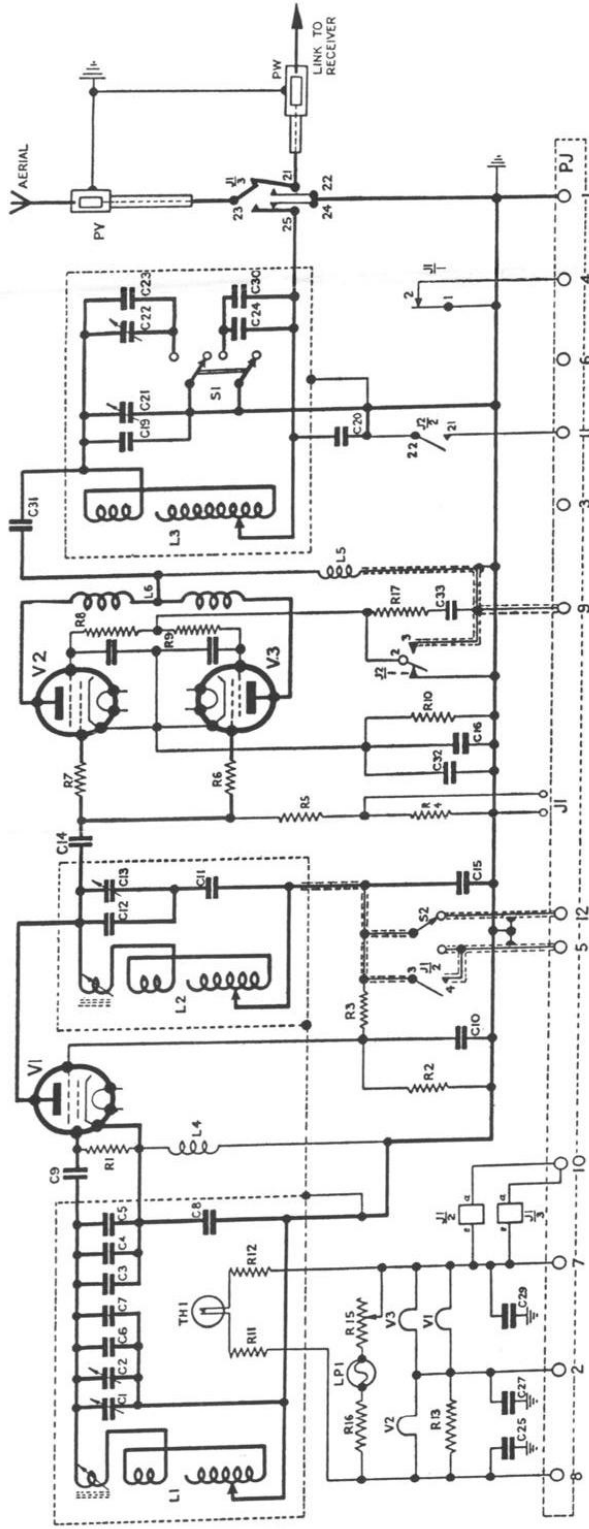
CIRCUIT DIAGRAM  
FOR  
H.F. TRANSMITTER TYPE 53  
A.M. REF. No. 10D/1310

- |     |                    |     |                  |
|-----|--------------------|-----|------------------|
| C1  | 3-5 - 22-5 MMFD.   | C11 | .001 MMFD.       |
| C2  | 3-5 - 22-5 MMFD.   | C12 | 300 MMFD.        |
| C3  | 1000 MMFD.         | C13 | 3-5 - 22-5 MMFD. |
| C4  | 50 MMFD.           | C14 | 50 MMFD.         |
| C5  | 50 MMFD.           | C15 | .01 MFD.         |
| C6  | 400 MMFD.          | C16 | .01 MFD.         |
| C7  | 30 MMFD.           | C17 | .001 MFD.        |
| C8  | 1300 MMFD.         | C18 | .01 MFD.         |
| C9  | 200 MMFD.          | C19 | 25 MMFD.         |
| C10 | .01 MFD.           | C20 | 750 MMFD.        |
| C21 | 3-5 - 22-5 MMFD.   | C31 | 200 MMFD.        |
| C22 | 3-5 - 22-5 MMFD.   | C32 | .01 MFD.         |
| C23 | 275 MMFD.          | C33 | .01 MFD.         |
| C24 | 1050 MMFD.         | S1  | 2-POLE 2-WAY     |
| C25 | .01 MFD.           | S2  | 1-POLE 2-WAY     |
| C26 | .01 MFD.           |     |                  |
| C27 | .01 MFD.           |     |                  |
| C28 | .01 MFD.           |     |                  |
| C29 | .01 MFD.           |     |                  |
| C30 | 1050 MMFD.         |     |                  |
| R1  | 20000 OHMS.        | R11 | 36 OHMS.         |
| R2  | 20000 OHMS.        | R12 | 36 OHMS.         |
| R3  | 56 OHMS.           | R13 | 7 OHMS.          |
| R4  | 56 OHMS.           | R15 | 300 OHMS.        |
| R5  | 10000 OHMS.        | R16 | 140 OHMS.        |
| R6  | 100 OHMS.          | R17 | 4700 OHMS.       |
| R7  | 100 OHMS.          | V1  | VT60A            |
| R8  | 25000 OHMS.        | V2  | VT60A            |
| R9  | 25000 OHMS.        | V3  | VT60A            |
| R10 | 130 OHMS.          |     |                  |
| L1  | 12V. 1W LAMP.      |     |                  |
| L2  | TH1 THERMAL RELAY. |     |                  |
| L3  | J1 GRID JACK       |     |                  |
| L4  | J2 12 PIN PLUG     |     |                  |
| L5  | PV COAXIAL PLUG    |     |                  |
| L6  | PW COAXIAL PLUG    |     |                  |

FOR DESCRIPTION OF  
RELAY CODING SEE  
APPENDICES.

FIG. 3A

13 VOLT



CIRCUIT DIAGRAM

H.F. TRANSMITTER, TYPE 53A

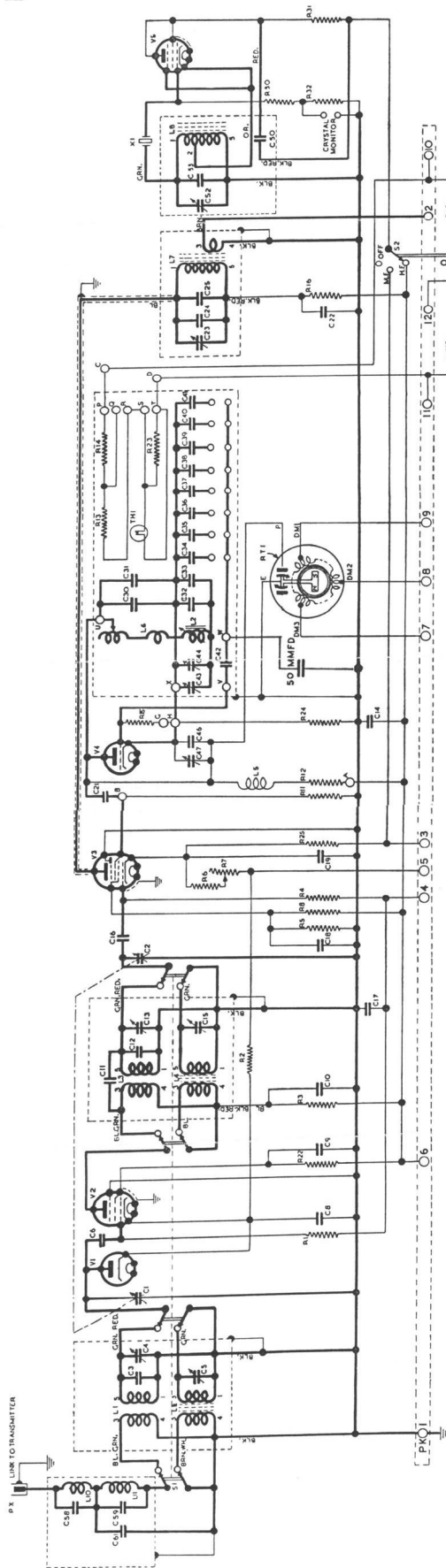
A.M. REF. No. 10D/1451

- |     |                  |     |                  |     |             |     |                |
|-----|------------------|-----|------------------|-----|-------------|-----|----------------|
| C1  | 3.5 - 22.5 MMFD. | C21 | 3.5 - 22.5 MMFD. | R1  | 20000 OHMS. | LPI | 12V. 1W. LAMP. |
| C2  | 3.5 - 22.5 MMFD. | C22 | 3.5 - 22.5 MMFD. | R2  | 50000 OHMS. | TH1 | THERMAL RELAY. |
| C3  | 1000 MMFD.       | C23 | 275 MMFD.        | R3  | 50000 OHMS. |     |                |
| C4  | 50 MMFD.         | C24 | 1050 MMFD.       | R4  | 56 OHMS.    |     |                |
| C5  | 50 MMFD.         | C25 | .01 MFD.         | R5  | 10000 OHMS. |     |                |
| C6  | 430 MMFD.        | C27 | .01 MFD.         | R6  | 100 OHMS.   |     |                |
| C7  | 30 MMFD.         | C29 | .01 MFD.         | R7  | 100 OHMS.   |     |                |
| C8  | 1000 MMFD.       | C30 | 1050 MMFD.       | R8  | 25000 OHMS. |     |                |
| C9  | 200 MMFD.        |     |                  | R9  | 130 OHMS.   |     |                |
| C10 | .01 MFD.         |     |                  | R10 | 100 OHMS.   |     |                |
| C11 | .001 MMFD.       |     |                  |     |             |     |                |
| C12 | 300 MMFD.        |     |                  |     |             |     |                |
| C13 | 3.5 - 22.5 MMFD. |     |                  |     |             |     |                |
| C14 | 50 MMFD.         |     |                  |     |             |     |                |
| C15 | .01 MFD.         |     |                  |     |             |     |                |
| C16 | .01 MFD.         |     |                  |     |             |     |                |
| C17 | .001 MFD.        |     |                  |     |             |     |                |
| C18 | .001 MFD.        |     |                  |     |             |     |                |
| C19 | 25 MMFD.         |     |                  |     |             |     |                |
| C20 | 750 MMFD.        |     |                  |     |             |     |                |
| C21 | 200 MMFD.        |     |                  |     |             |     |                |
| C22 | .01 MFD.         |     |                  |     |             |     |                |
| C23 | .01 MFD.         |     |                  |     |             |     |                |
| C24 | 2-POLE 2-WAY.    |     |                  |     |             |     |                |
| C25 | 1-POLE 2-WAY.    |     |                  |     |             |     |                |
| C27 | .01 MFD.         |     |                  |     |             |     |                |
| C29 | .01 MFD.         |     |                  |     |             |     |                |
| C30 | 1050 MMFD.       |     |                  |     |             |     |                |
| R11 | 9 OHMS.          |     |                  |     |             |     |                |
| R12 | 9 OHMS.          |     |                  |     |             |     |                |
| R13 | 7 OHMS.          |     |                  |     |             |     |                |
| R15 | 150 OHMS.        |     |                  |     |             |     |                |
| R16 | 10 OHMS.         |     |                  |     |             |     |                |
| R17 | 4700 OHMS.       |     |                  |     |             |     |                |
| V1  | VT60 A.          |     |                  |     |             |     |                |
| V2  | VT60 A.          |     |                  |     |             |     |                |
| V3  | VT60 A.          |     |                  |     |             |     |                |
| J1  | GRID JACK.       |     |                  |     |             |     |                |
| PJ  | 12-PIN PLUG.     |     |                  |     |             |     |                |
| PV  | COAXIAL PLUG.    |     |                  |     |             |     |                |
| PW  | COAXIAL PLUG.    |     |                  |     |             |     |                |

FOR DESCRIPTION OF RELAY CODING, SEE APPENDICES.

FIG. 4

26 VOLT



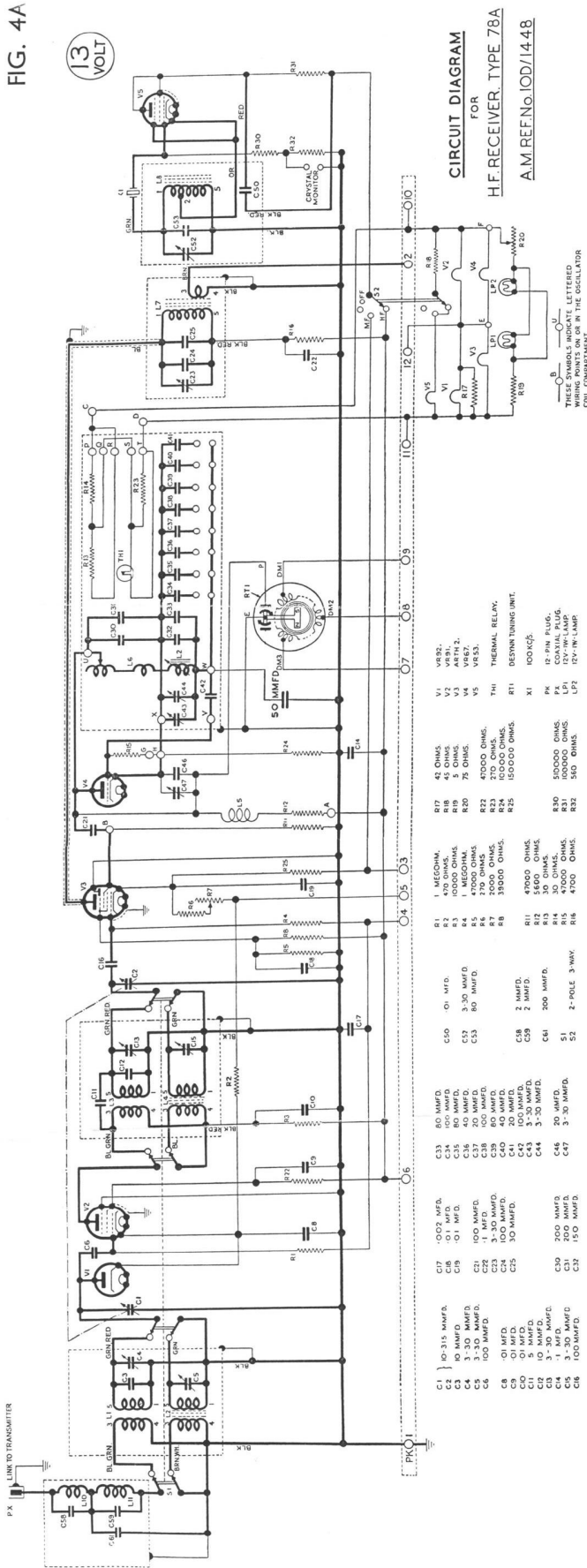
CIRCUIT DIAGRAM

FOR  
H.F. RECEIVER TYPE 78  
— A.M. REF. No. 100/1307 —

- THESE SYMBOLS INDICATE LETTERED COMPONENTS LOCATED IN THE LAMP COIL COMPARTMENT.
- |     |             |      |           |     |            |     |                   |
|-----|-------------|------|-----------|-----|------------|-----|-------------------|
| C1  | 10-315 MMFD | C17  | .002 MFD  | R1  | 1 MEGOHM   | V1  | VR92              |
| C2  | 10 MMFD     | C18  | .01 MFD   | R2  | 10000 OHMS | V2  | VR93              |
| C3  | 3-30 MMFD   | C19  | .01 MFD   | R3  | 10000 OHMS | V3  | AR7H2             |
| C4  | 100 MMFD    | C20  | 100 MMFD  | R4  | 1 MEGOHM   | V4  | VR97              |
| C5  | 100 MMFD    | C21  | 100 MMFD  | R5  | 10000 OHMS | V5  | VR33              |
| C6  | 100 MMFD    | C22  | 1 MFD     | R6  | 270 OHMS   | TH1 | THERMAL RELAY     |
| C7  | 100 MMFD    | C23  | 3-30 MMFD | R7  | 2000 OHMS  | RT1 | DESYN TUNING UNIT |
| C8  | .01 MFD     | C24  | 100 MMFD  | R8  | 270 OHMS   | X1  | 100kc/s           |
| C9  | .01 MFD     | C25  | 30 MMFD   | R9  | 2000 OHMS  | PK  | 12-PIN PLUG       |
| C10 | .01 MFD     | C26  | 100 MMFD  | R10 | 50000 OHMS | PX  | COAXIAL PLUG      |
| C11 | 10 MMFD     | C27  | 100 MMFD  | R11 | 47000 OHMS | L1  | 12-IN. LAMP       |
| C12 | 3-30 MMFD   | C28  | 100 MMFD  | R12 | 50000 OHMS | L2  | 12-IN. LAMP       |
| C13 | 3-30 MMFD   | C29  | 100 MMFD  | R13 | 47000 OHMS | R17 | 42 OHMS           |
| C14 | 100 MMFD    | C30  | 300 MMFD  | R14 | 47000 OHMS | R18 | 20 OHMS           |
| C15 | 100 MMFD    | C31  | 200 MMFD  | R15 | 47000 OHMS | R19 | 300 OHMS          |
| C16 | 100 MMFD    | C32  | 150 MMFD  | R16 | 47000 OHMS | R20 | 300 OHMS          |
|     |             | C33  | 80 MMFD   |     |            | R21 | 47000 OHMS        |
|     |             | C34  | 80 MMFD   |     |            | R22 | 50000 OHMS        |
|     |             | C35  | 80 MMFD   |     |            | R23 | 270 OHMS          |
|     |             | C36  | 40 MMFD   |     |            | R24 | 10000 OHMS        |
|     |             | C37  | 100 MMFD  |     |            | R25 | 10000 OHMS        |
|     |             | C38  | 100 MMFD  |     |            | R26 | 10000 OHMS        |
|     |             | C39  | 80 MMFD   |     |            | R27 | 2000 OHMS         |
|     |             | C40  | 80 MMFD   |     |            | R28 | 2000 OHMS         |
|     |             | C41  | 20 MMFD   |     |            | R29 | 10000 OHMS        |
|     |             | C42  | 100 MMFD  |     |            | R30 | 10000 OHMS        |
|     |             | C43  | 100 MMFD  |     |            | R31 | 100000 OHMS       |
|     |             | C44  | 3-30 MMFD |     |            | R32 | 850 OHMS          |
|     |             | C45  | 3-30 MMFD |     |            | R33 | 850 OHMS          |
|     |             | C46  | 50 MMFD   |     |            |     |                   |
|     |             | C47  | 3-30 MMFD |     |            |     |                   |
|     |             | C48  | 2 MMFD    |     |            |     |                   |
|     |             | C49  | 2 MMFD    |     |            |     |                   |
|     |             | C50  | 0.1 MFD   |     |            |     |                   |
|     |             | C51  | 1 MFD     |     |            |     |                   |
|     |             | C52  | 3-30 MMFD |     |            |     |                   |
|     |             | C53  | 50 MMFD   |     |            |     |                   |
|     |             | C54  | 50 MMFD   |     |            |     |                   |
|     |             | C55  | 30 MMFD   |     |            |     |                   |
|     |             | C56  | 50 MMFD   |     |            |     |                   |
|     |             | C57  | 3-30 MMFD |     |            |     |                   |
|     |             | C58  | 100 MMFD  |     |            |     |                   |
|     |             | C59  | 100 MMFD  |     |            |     |                   |
|     |             | C60  | 300 MMFD  |     |            |     |                   |
|     |             | C61  | 200 MMFD  |     |            |     |                   |
|     |             | C62  | 150 MMFD  |     |            |     |                   |
|     |             | C63  | 100 MMFD  |     |            |     |                   |
|     |             | C64  | 100 MMFD  |     |            |     |                   |
|     |             | C65  | 100 MMFD  |     |            |     |                   |
|     |             | C66  | 100 MMFD  |     |            |     |                   |
|     |             | C67  | 100 MMFD  |     |            |     |                   |
|     |             | C68  | 100 MMFD  |     |            |     |                   |
|     |             | C69  | 100 MMFD  |     |            |     |                   |
|     |             | C70  | 100 MMFD  |     |            |     |                   |
|     |             | C71  | 100 MMFD  |     |            |     |                   |
|     |             | C72  | 100 MMFD  |     |            |     |                   |
|     |             | C73  | 100 MMFD  |     |            |     |                   |
|     |             | C74  | 100 MMFD  |     |            |     |                   |
|     |             | C75  | 100 MMFD  |     |            |     |                   |
|     |             | C76  | 100 MMFD  |     |            |     |                   |
|     |             | C77  | 100 MMFD  |     |            |     |                   |
|     |             | C78  | 100 MMFD  |     |            |     |                   |
|     |             | C79  | 100 MMFD  |     |            |     |                   |
|     |             | C80  | 100 MMFD  |     |            |     |                   |
|     |             | C81  | 100 MMFD  |     |            |     |                   |
|     |             | C82  | 100 MMFD  |     |            |     |                   |
|     |             | C83  | 100 MMFD  |     |            |     |                   |
|     |             | C84  | 100 MMFD  |     |            |     |                   |
|     |             | C85  | 100 MMFD  |     |            |     |                   |
|     |             | C86  | 100 MMFD  |     |            |     |                   |
|     |             | C87  | 100 MMFD  |     |            |     |                   |
|     |             | C88  | 100 MMFD  |     |            |     |                   |
|     |             | C89  | 100 MMFD  |     |            |     |                   |
|     |             | C90  | 100 MMFD  |     |            |     |                   |
|     |             | C91  | 100 MMFD  |     |            |     |                   |
|     |             | C92  | 100 MMFD  |     |            |     |                   |
|     |             | C93  | 100 MMFD  |     |            |     |                   |
|     |             | C94  | 100 MMFD  |     |            |     |                   |
|     |             | C95  | 100 MMFD  |     |            |     |                   |
|     |             | C96  | 100 MMFD  |     |            |     |                   |
|     |             | C97  | 100 MMFD  |     |            |     |                   |
|     |             | C98  | 100 MMFD  |     |            |     |                   |
|     |             | C99  | 100 MMFD  |     |            |     |                   |
|     |             | C100 | 100 MMFD  |     |            |     |                   |

FIG. 4A

13 VOLT



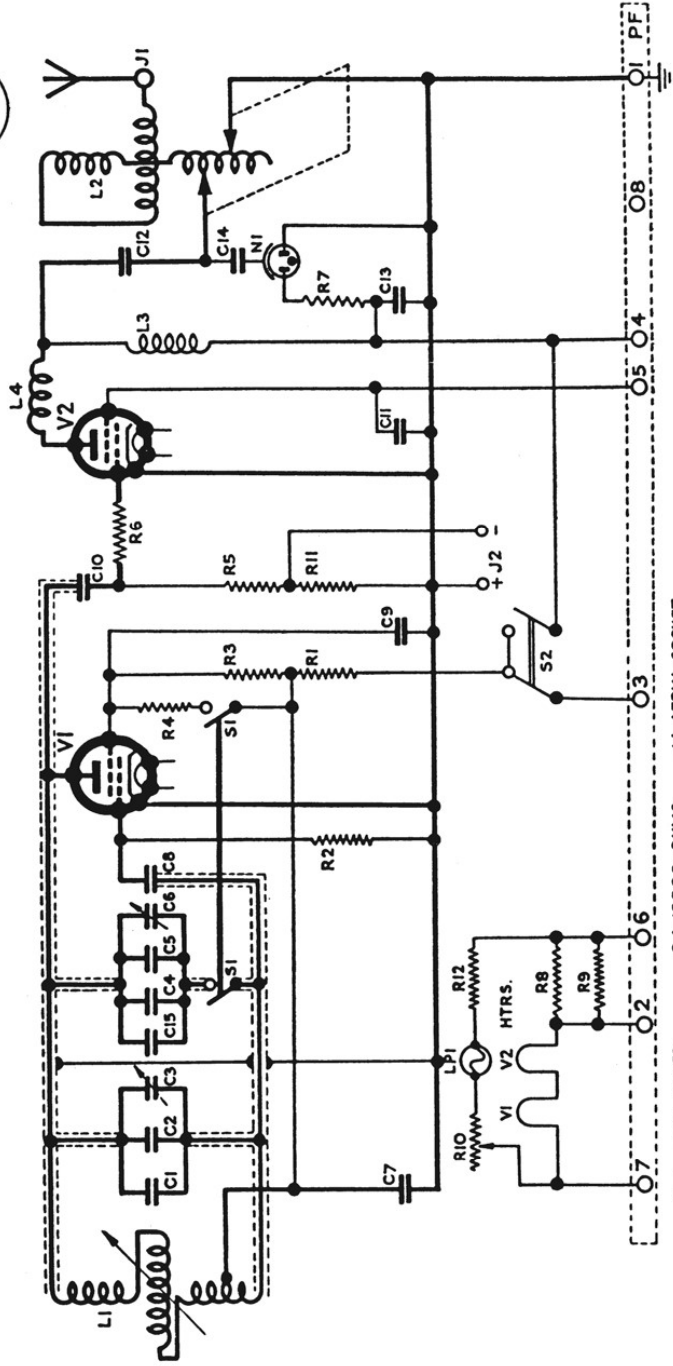
**CIRCUIT DIAGRAM**  
FOR  
**HF RECEIVER, TYPE 78A**  
AM REF. No. IOD/1448

- |     |              |     |              |     |              |     |                   |
|-----|--------------|-----|--------------|-----|--------------|-----|-------------------|
| C1  | 10-315 MMFD. | C17 | 1002 MFD.    | R1  | 1 MEGOHM.    | V1  | VR92.             |
| C2  | 10 MMFD.     | C18 | 0.1 MFD.     | R2  | 470 OHMS.    | V2  | VR81.             |
| C3  | 10 MMFD.     | C19 | 0.1 MFD.     | R3  | 1 MEGOHM.    | V3  | VR82.             |
| C4  | 3-30 MMFD.   | C20 | 3-30 MMFD.   | R4  | 47000 OHMS.  | V4  | VR53.             |
| C5  | 100 MMFD.    | C21 | 100 MMFD.    | R5  | 47000 OHMS.  | V5  | VR53.             |
| C6  | 100 MMFD.    | C22 | 3-30 MMFD.   | R6  | 2000 OHMS.   | TH1 | THERMAL RELAY.    |
| C7  | 100 MMFD.    | C23 | 80 MMFD.     | R7  | 2000 OHMS.   | R11 | DESIGNATING UNIT. |
| C8  | 0.1 MFD.     | C24 | 40 MMFD.     | R8  | 38000 OHMS.  | R21 | 100000 OHMS.      |
| C9  | 0.1 MFD.     | C25 | 100 MMFD.    | R9  | 47000 OHMS.  | R30 | 300000 OHMS.      |
| C10 | 0.1 MFD.     | C26 | 3-30 MMFD.   | R10 | 30 OHMS.     | R31 | 30 OHMS.          |
| C11 | 5 MMFD.      | C27 | 2 MMFD.      | R11 | 30 OHMS.     | R12 | 30 OHMS.          |
| C12 | 3-30 MMFD.   | C28 | 2 MMFD.      | R13 | 30 OHMS.     | R13 | 30 OHMS.          |
| C13 | 3-30 MMFD.   | C29 | 2 MMFD.      | R14 | 47000 OHMS.  | R14 | 47000 OHMS.       |
| C14 | 1 MFD.       | C30 | 200 MMFD.    | R15 | 2000 OHMS.   | R15 | 2000 OHMS.        |
| C15 | 1 MFD.       | C31 | 150 MMFD.    | R16 | 4700 OHMS.   | R16 | 4700 OHMS.        |
| C16 | 100 MMFD.    | C32 | 2-POLE 3 WY. | R17 | 42 OHMS.     | R17 | 42 OHMS.          |
| C33 | 80 MMFD.     | C33 | 80 MMFD.     | R18 | 45 OHMS.     | R18 | 45 OHMS.          |
| C34 | 100 MMFD.    | C34 | 100 MMFD.    | R19 | 75 OHMS.     | R19 | 75 OHMS.          |
| C35 | 100 MMFD.    | C35 | 100 MMFD.    | R20 | 75 OHMS.     | R20 | 75 OHMS.          |
| C36 | 20 MMFD.     | C36 | 20 MMFD.     | R21 | 10000 OHMS.  | R21 | 10000 OHMS.       |
| C37 | 20 MMFD.     | C37 | 20 MMFD.     | R22 | 10000 OHMS.  | R22 | 10000 OHMS.       |
| C38 | 80 MMFD.     | C38 | 80 MMFD.     | R23 | 270 OHMS.    | R23 | 270 OHMS.         |
| C39 | 80 MMFD.     | C39 | 80 MMFD.     | R24 | 10000 OHMS.  | R24 | 10000 OHMS.       |
| C40 | 40 MMFD.     | C40 | 40 MMFD.     | R25 | 150000 OHMS. | R25 | 150000 OHMS.      |
| C41 | 100 MMFD.    | C41 | 100 MMFD.    | R26 | 50000 OHMS.  | R26 | 50000 OHMS.       |
| C42 | 100 MMFD.    | C42 | 100 MMFD.    | R27 | 30000 OHMS.  | R27 | 30000 OHMS.       |
| C43 | 3-30 MMFD.   | C43 | 3-30 MMFD.   | R28 | 47000 OHMS.  | R28 | 47000 OHMS.       |
| C44 | 3-30 MMFD.   | C44 | 3-30 MMFD.   | R29 | 30 OHMS.     | R29 | 30 OHMS.          |
| C45 | 20 MMFD.     | C45 | 20 MMFD.     | R30 | 300000 OHMS. | R30 | 300000 OHMS.      |
| C46 | 20 MMFD.     | C46 | 20 MMFD.     | R31 | 30 OHMS.     | R31 | 30 OHMS.          |
| C47 | 3-30 MMFD.   | C47 | 3-30 MMFD.   | R32 | 540 OHMS.    | R32 | 540 OHMS.         |
| C48 | 100 MMFD.    | C48 | 100 MMFD.    | R33 | 540 OHMS.    | R33 | 540 OHMS.         |

THE WIRING POINTS ARE IDENTIFIED BY LETTERS AND FIG. NO. IN THE COIL COMPARTMENT.

FIG. 5

26 VOLT



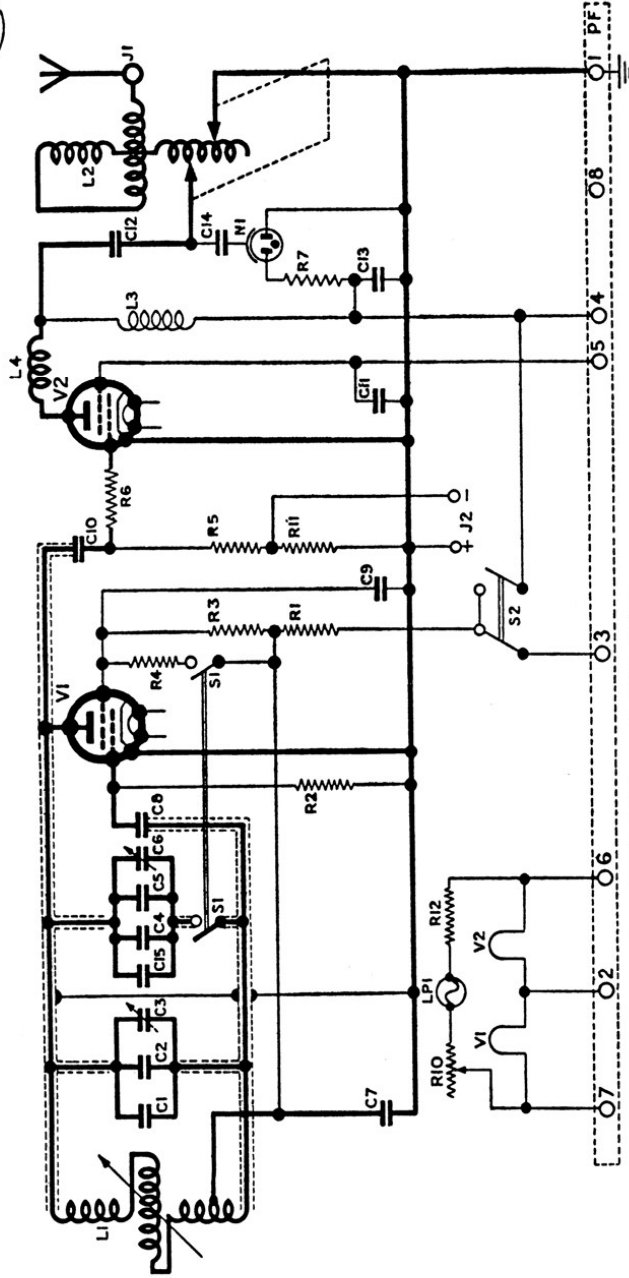
- C 1 200 MMFD.
- C 2 820 MMFD.
- C 3 410 MMFD.
- C 4 15-50 MMFD.
- C 5 200 MMFD.
- C 6 200 MMFD.
- C 7 100 MMFD. MAX.
- C 8 0.1 MFD.
- C 9 500 MMFD.
- C 10 .01 MFD.
- C 11 .1 MFD.
- C 12 .005 MFD.
- C 13 .1 MFD.
- C 14 15 MMFD.
- C 15 20 MMFD.
- R 1 15000 OHMS.
- R 2 22000 OHMS.
- R 3 1 MEGOHMS.
- R 4 22000 OHMS.
- R 5 56 OHMS.
- R 6 56 OHMS.
- R 7 10 MEGOHMS.
- R 8 28 OHMS.
- R 9 28 OHMS.
- R 10 300 OHMS.
- R 11 56 OHMS.
- R 12 140 OHMS.
- V 1 VT60A.
- V 2 VT60A.
- N 1 NEON TUNING INDICATOR.
- S 1 4 POLE 2 POSITION.
- S 2 SINGLE POLE C/O.
- L P 1 12V. 1WATT LAMP.

**CIRCUIT DIAGRAM**  
FOR

**M.F. TRANSMITTER TYPE 51**  
**A.M. REF. No. IOD/1308**

FIG. 5A

13 VOLT



- C 1 200 MMFD.
- C 2 820 MMFD.
- C 2A 410 MMFD.
- C 3 4-5-50 MMFD.
- C 4 200 MMFD.
- C 5 100 MMFD.
- C 6 100 MMFD. MAX.
- C 7 1 MFD.
- C 8 500 MMFD.
- C 9 .01 MFD.
- C 10 .001 MFD.
- C 11 .1 MFD.
- C 12 .005 MFD.
- C 13 .1 MFD.
- C 14 15 MMFD.
- C 15 20 MMFD.
- R 1 15000 OHMS.
- R 2 22000 OHMS.
- R 3 1 MEGOHMS.
- R 4 30000 OHMS.
- R 5 23000 OHMS.
- R 6 55 OHMS.
- R 7 10 MEGOHMS.
- R 8 1 MFD.
- R 9 500 MMFD.
- R 10 150 OHMS.
- R 11 56 OHMS.
- R 12 10 OHMS.
- J 1 AERIAL SOCKET
- J 2 PA GRID JACK
- V 1 VT80A
- V 2 VT60A
- N 1 NEON TUNING INDICATOR
- S 1 4 POLE 2 POSITION
- S 2 SINGLE POLE C/O
- LPI 12 V 1-WATT LAMP.

**CIRCUIT DIAGRAM**  
FOR  
**M.F. TRANSMITTER TYPE 51A**  
A.M. REF. No. IOD/1449



FIG. 6

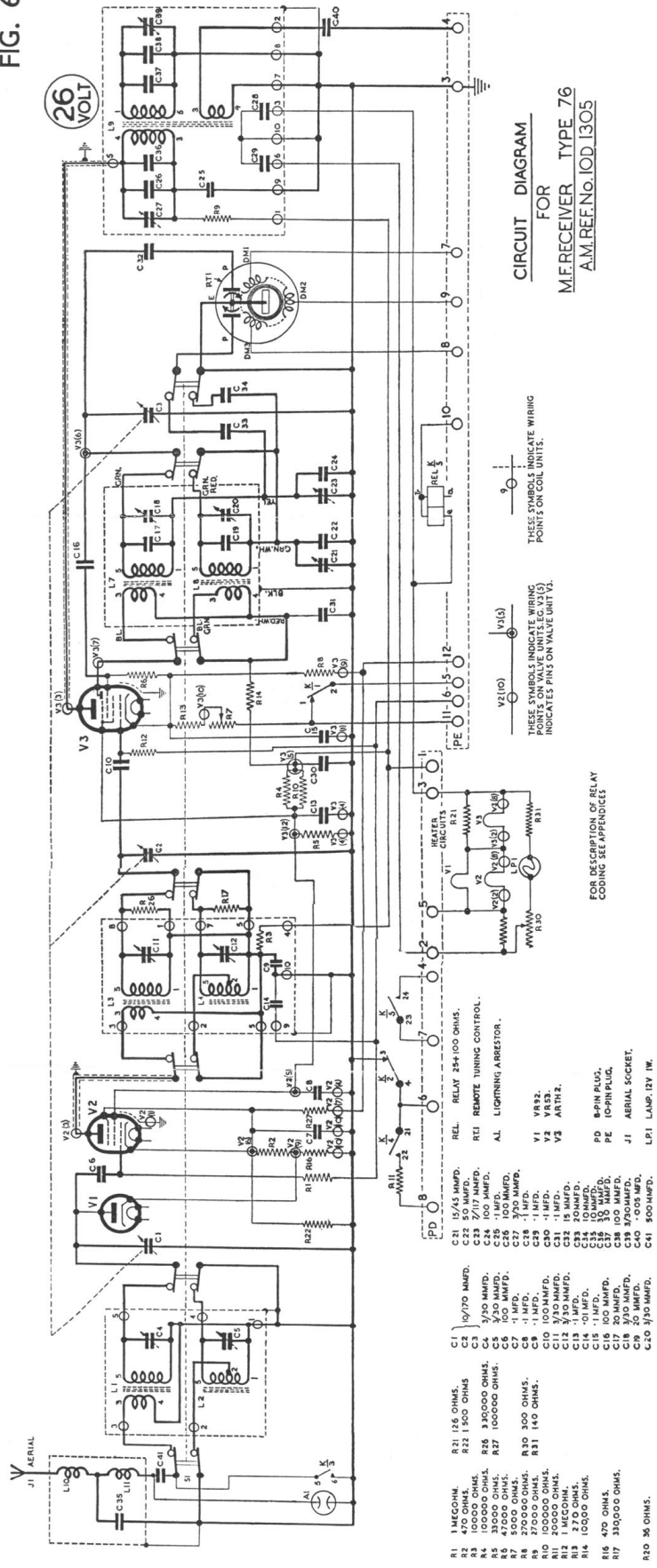
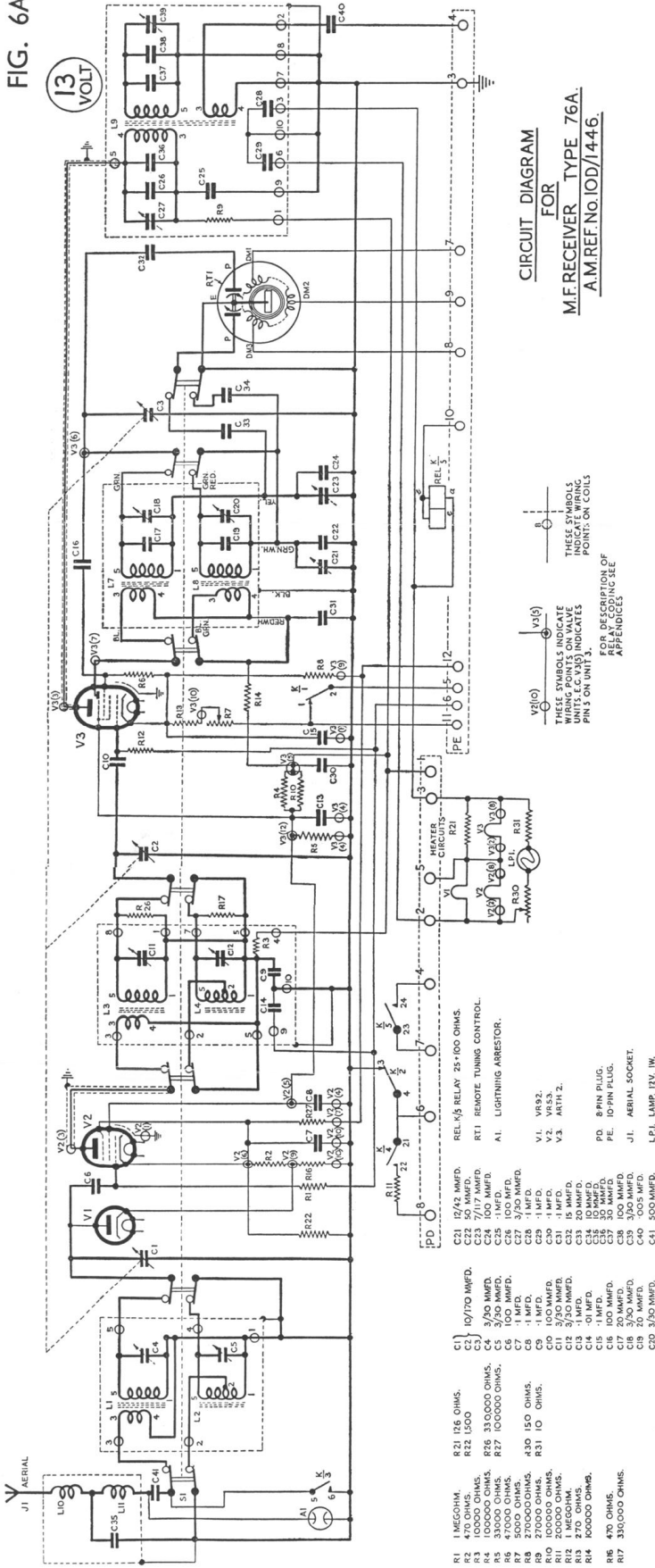


FIG. 6A



CIRCUIT DIAGRAM  
FOR  
M.F. RECEIVER TYPE 76A.  
A.M. REF. No. 10/1446

THESE SYMBOLS INDICATE WIRING UNITS, E.G. V2(0) INDICATES PIN 5 ON UNIT 2.  
FOR DESCRIPTION OF APPENDICES

- R1 1 MEG OHM.
- R2 470 OHMS.
- R3 10000 OHMS.
- R4 30000 OHMS.
- R5 30000 OHMS.
- R6 47000 OHMS.
- R7 5000 OHMS.
- R8 1000 OHMS.
- R9 27000 OHMS.
- R10 100000 OHMS.
- R11 10000 OHMS.
- R12 270 OHMS.
- R13 10000 OHMS.
- R14 100000 OHMS.
- R15 470 OHMS.
- R16 330000 OHMS.
- R17 330000 OHMS.
- R18 330000 OHMS.
- R19 330000 OHMS.
- R20 330000 OHMS.
- R21 15 OHMS.
- R22 1500 OHMS.
- R23 1500 OHMS.
- R24 1500 OHMS.
- R25 150000 OHMS.
- R26 100000 OHMS.
- R27 100000 OHMS.
- R28 100000 OHMS.
- R29 100000 OHMS.
- R30 100000 OHMS.
- R31 10 OHMS.
- R32 10 OHMS.
- R33 10 OHMS.
- R34 10 OHMS.
- R35 10 OHMS.
- R36 10 OHMS.
- R37 10 OHMS.
- R38 10 OHMS.
- R39 10 OHMS.
- R40 10 OHMS.
- R41 10 OHMS.
- R42 10 OHMS.
- R43 10 OHMS.
- R44 10 OHMS.
- R45 10 OHMS.
- R46 10 OHMS.
- R47 10 OHMS.
- R48 10 OHMS.
- R49 10 OHMS.
- R50 10 OHMS.
- R51 10 OHMS.
- R52 10 OHMS.
- R53 10 OHMS.
- R54 10 OHMS.
- R55 10 OHMS.
- R56 10 OHMS.
- R57 10 OHMS.
- R58 10 OHMS.
- R59 10 OHMS.
- R60 10 OHMS.
- R61 10 OHMS.
- R62 10 OHMS.
- R63 10 OHMS.
- R64 10 OHMS.
- R65 10 OHMS.
- R66 10 OHMS.
- R67 10 OHMS.
- R68 10 OHMS.
- R69 10 OHMS.
- R70 10 OHMS.
- R71 10 OHMS.
- R72 10 OHMS.
- R73 10 OHMS.
- R74 10 OHMS.
- R75 10 OHMS.
- R76 10 OHMS.
- R77 10 OHMS.
- R78 10 OHMS.
- R79 10 OHMS.
- R80 10 OHMS.
- R81 10 OHMS.
- R82 10 OHMS.
- R83 10 OHMS.
- R84 10 OHMS.
- R85 10 OHMS.
- R86 10 OHMS.
- R87 10 OHMS.
- R88 10 OHMS.
- R89 10 OHMS.
- R90 10 OHMS.
- R91 10 OHMS.
- R92 10 OHMS.
- R93 10 OHMS.
- R94 10 OHMS.
- R95 10 OHMS.
- R96 10 OHMS.
- R97 10 OHMS.
- R98 10 OHMS.
- R99 10 OHMS.
- R100 10 OHMS.

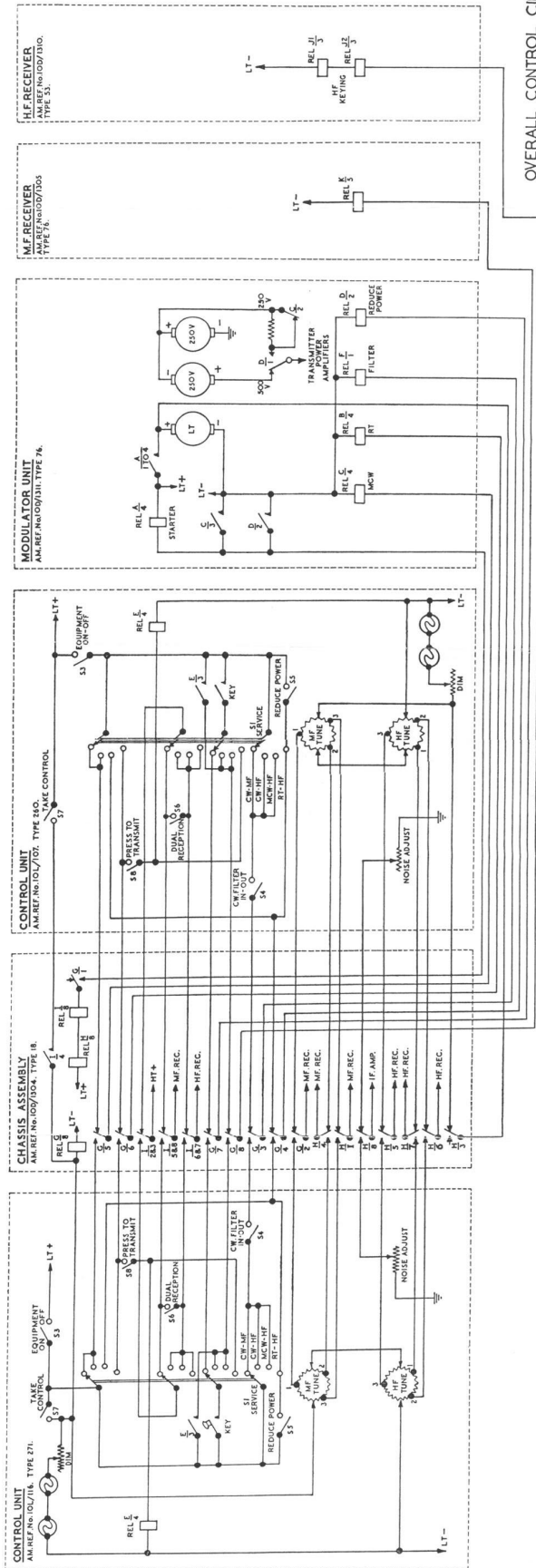
- C1 10/10 M.M.F.D.
- C2 10/10 M.M.F.D.
- C3 3/10 M.M.F.D.
- C4 3/10 M.M.F.D.
- C5 3/10 M.M.F.D.
- C6 100 M.M.F.D.
- C7 1 M.F.D.
- C8 1 M.F.D.
- C9 1 M.F.D.
- C10 100 M.M.F.D.
- C11 1 M.F.D.
- C12 3/10 M.M.F.D.
- C13 1 M.F.D.
- C14 1 M.F.D.
- C15 1 M.F.D.
- C16 100 M.M.F.D.
- C17 20 M.M.F.D.
- C18 3/10 M.M.F.D.
- C19 3/10 M.M.F.D.
- C20 3/10 M.M.F.D.
- C21 10/10 M.M.F.D.
- C22 50 M.M.F.D.
- C23 7/17 M.M.F.D.
- C24 100 M.M.F.D.
- C25 100 M.M.F.D.
- C26 100 M.M.F.D.
- C27 3/10 M.M.F.D.
- C28 1 M.F.D.
- C29 1 M.F.D.
- C30 1 M.F.D.
- C31 1 M.F.D.
- C32 1 M.F.D.
- C33 20 M.M.F.D.
- C34 10 M.M.F.D.
- C35 30 M.M.F.D.
- C36 30 M.M.F.D.
- C37 30 M.M.F.D.
- C38 100 M.M.F.D.
- C39 300 M.M.F.D.
- C40 300 M.M.F.D.
- C41 500 M.M.F.D.

- REL. X/5 RELAY 25-100 OHMS.
- RT1 REMOTE TUNING CONTROL.
- A1 LIGHTNING ARRESTOR.
- V1 6X4.
- V2 6AR5.
- V3 6AV6.
- P.E. 8 PIN PLUG.
- PE. 10 PIN PLUG.
- J1 AERIAL SOCKET.
- L.P.I. LAMP 11V. 1W.



FIG. 8

26 VOLT



OVERALL CONTROL CIRCUIT  
ARI 5206

FIG. 8A

13  
VOLT

CIRCUIT DIAGRAM  
OVERALL CONTROL CIRCUIT  
A.R.I. 5206

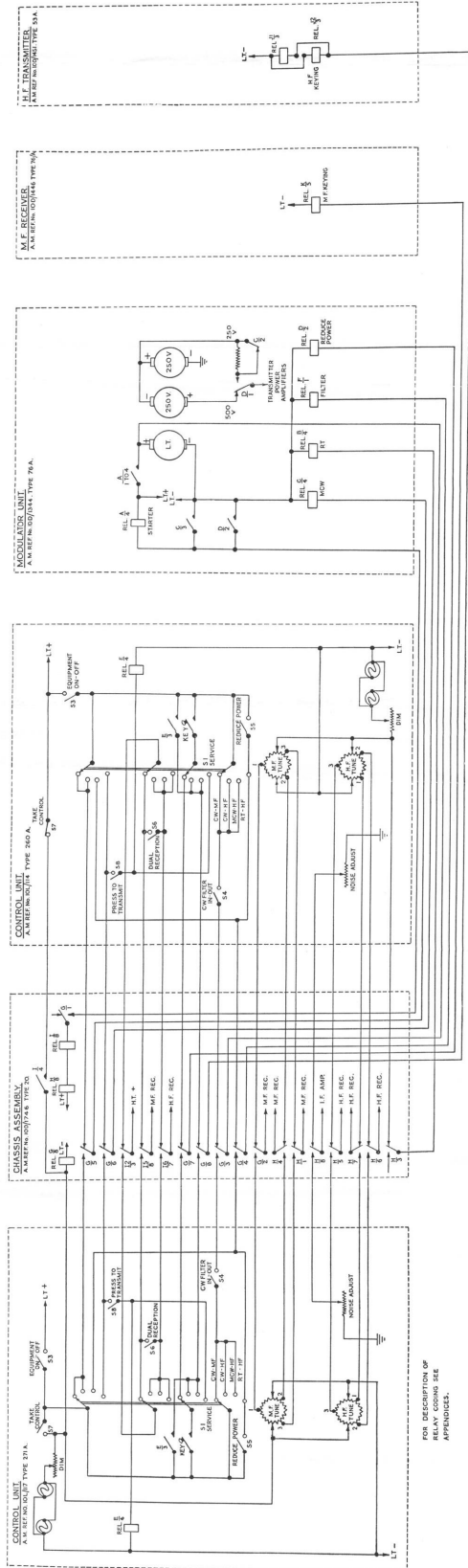
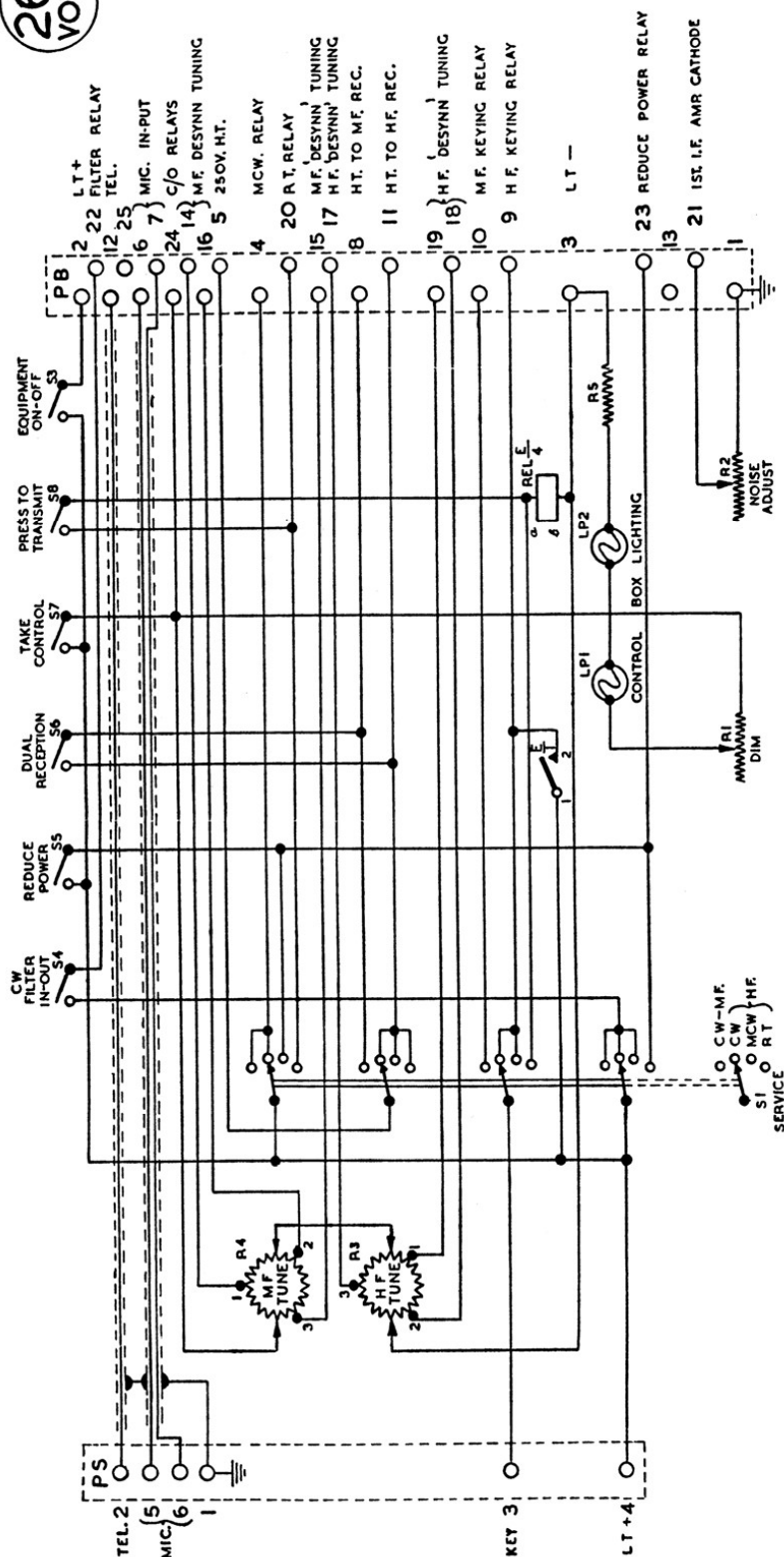


FIG. 9

26  
VOLT



CIRCUIT DIAGRAM

FOR

CONTROL UNIT

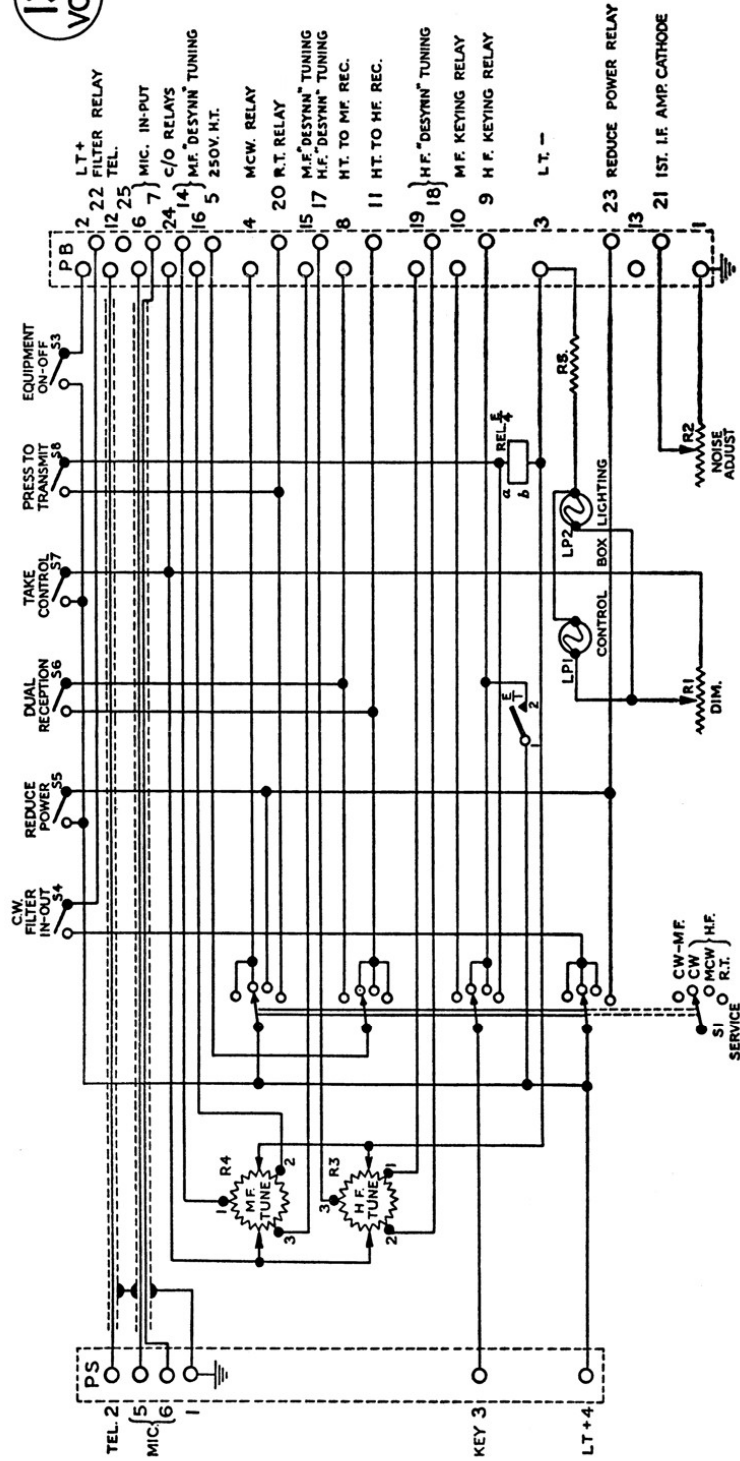
AM. REF. No. 10L/116 TYPE 271

FOR USE WITHOUT TR.1366

- |    |                           |     |                |    |                 |
|----|---------------------------|-----|----------------|----|-----------------|
| R1 | 300 OHMS                  | S1  | 4-POLE-4-WAY   | PB | 25 PIN "W" PLUG |
| R2 | 20000 OHMS                | S3  | SINGLE POLE    | PS | 6 PIN "W" PLUG  |
| R3 | DESYNN 168 FL TRANSMITTER | S4  | SINGLE POLE    |    |                 |
| R4 | DESYNN 168 FL TRANSMITTER | S5  | SINGLE POLE    |    |                 |
| R5 | 20 OHMS                   | S6  | SINGLE POLE    |    |                 |
|    |                           | S7  | MOMENTARY MAKE |    |                 |
|    |                           | S8  | SINGLE POLE    |    |                 |
|    |                           | LP1 | 12V-1WATT      |    |                 |
|    |                           | LP2 | 12V-1WATT      |    |                 |

FIG. 9A

13 VOLT



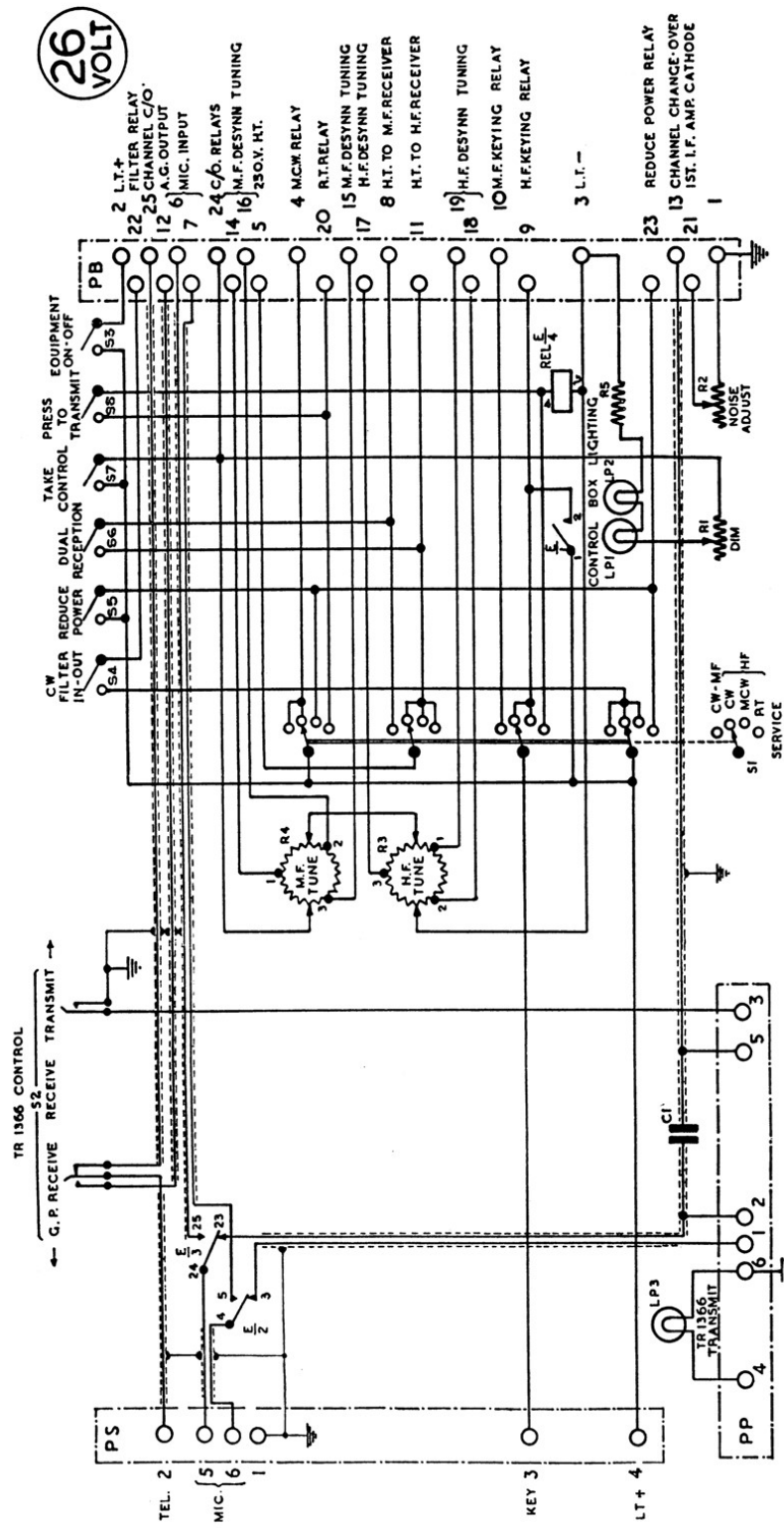
**CIRCUIT DIAGRAM**

FOR  
**CONTROL UNIT TYPE 271A**  
 A.M. REF. No. IOL/117  
 FOR USE WITHOUT T.R.1366

FOR DESCRIPTION OF  
 RELAY CODING SEE  
 APPENDICES.

- R1 75 OHMS
- R2 20000 OHMS
- R3 10000 OHMS
- R4 DESYNN IGA.FI
- R5 5 OHMS
- S1 4- POLE-4-WAY
- S2 25 PIN W PLUG
- S3 SINGLE POLE
- S4 SINGLE POLE
- S5 SINGLE POLE
- S6 SINGLE POLE
- S7 MOMENTARY MAKE
- S8 SINGLE POLE
- PB 25 PIN W PLUG
- PS 6 PIN W PLUG
- LP1 12V-1WATT
- LP2 12V-1WATT

FIG. 10



**CIRCUIT DIAGRAM**  
 FOR  
**CONTROL UNIT**  
 TYPE 276  
 A.M. REF. No. 10L/121

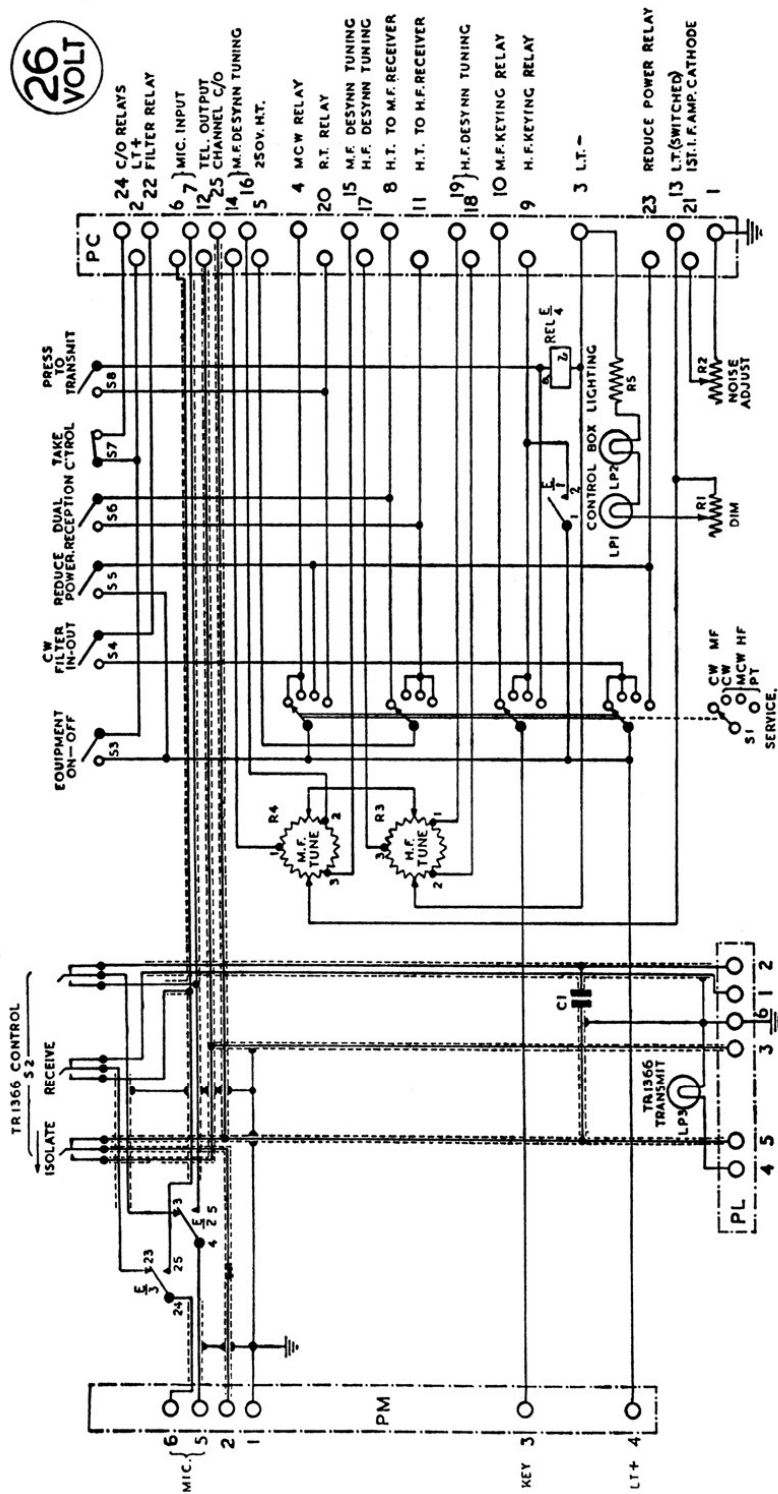
- |    |               |    |              |
|----|---------------|----|--------------|
| R1 | 300 OHMS      | S1 | 4-POLE 4-WAY |
| R2 | 20000 OHMS    | S2 | SWITCH KEY   |
| R3 | DESYNN 168 FL | S3 | SINGLE-POLE  |
| R4 | TRANSMITTER   | S4 | SINGLE-POLE  |
| R5 | DESYNN 168 FL | S5 | SINGLE-POLE  |
|    | TRANSMITTER   | S6 | SINGLE-POLE  |
|    | TRANSMITTER   | S7 | MOMENTARY    |
|    | TRANSMITTER   | S8 | MAKE         |
| C1 | 6 MMFD.       |    | SINGLE-POLE  |

- |     |                 |
|-----|-----------------|
| PB  | 25-PIN PLUG     |
| PP  | 6-PIN PLUG      |
| P5  | 6-PIN PLUG      |
| LPI | 12V. IW.        |
| LP2 | 12V. IW.        |
| LP3 | 12V. P.O. No. 2 |



FIG. 11

26 VOLT



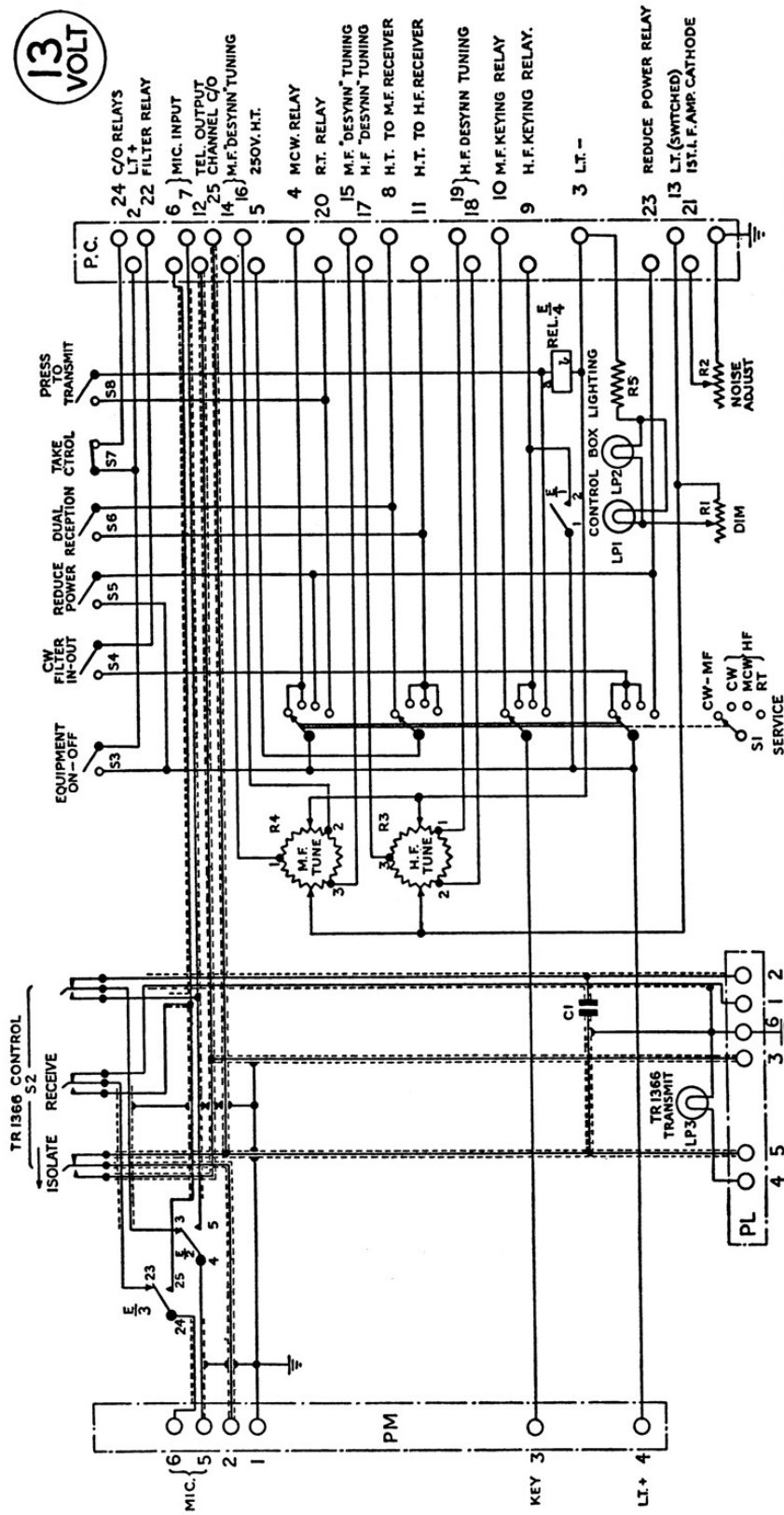
CIRCUIT DIAGRAM  
FOR  
CONTROL UNIT  
TYPE 260  
A.M. REF. No. 10L/107

FOR DESCRIPTION OF  
RELAY CODING SEE  
APPENDICES

- R1 300 OHMS.
- R2 20000 OHMS.
- R3 20000 OHMS.
- R4 DESYNN INTERFER.
- R5 DESYNN ISBFL.
- R5 20 OHMS
- C1 6 MMFD.
- S1 4-POLE 4-WAY.
- S2 SWITCH KEY.
- S3 SINGLE POLE.
- S4 SINGLE POLE.
- S5 SINGLE POLE.
- S6 SINGLE POLE.
- S7 MOMENTARY.
- S8 SINGLE POLE.
- PC 25-PIN PLUG.
- PL 6-PIN PLUG.
- PM 6-PIN PLUG.
- LPI 12V-1W.
- LPS 2V-1W.
- LPS 12V-PO-NO.2.

FIG. 11A

13 VOLT



CIRCUIT DIAGRAM

FOR

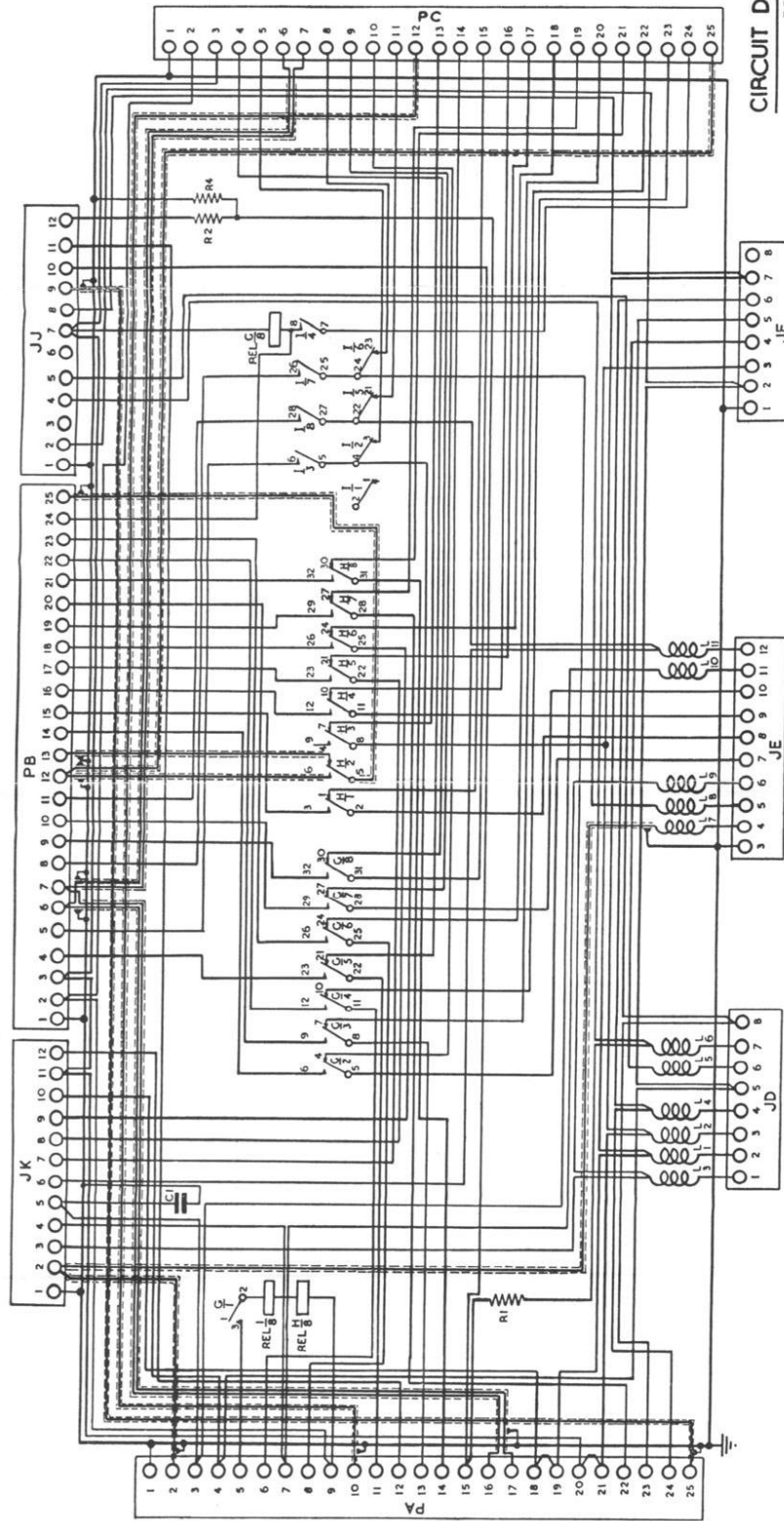
CONTROL UNIT. TYPE 260A

A.M. REF. No. IOL/114

FOR DESCRIPTION OF RELAY CODING SEE APPENDICES.

- R1 75 OHMS.
- R2 20000 OHMS.
- R3 DESYNN 168 FL. TRANSMITTER
- R4 TRANSMITTER
- R5 5 OHMS.
- C1 6 MMFD
- S1 4-POLE 4-WAY SWITCH KEY.
- S2 SINGLE POLE
- S3 SINGLE POLE
- S4 SINGLE POLE
- S5 SINGLE POLE
- S6 MOMENTARY BREAK
- S7 SINGLE POLE
- S8 SINGLE POLE
- PC 25-PIN PLUG
- P.L. 6-PIN PLUG
- P.M. 6-PIN PLUG
- LP1 12V-1W. M.E.S.
- LP2 12V-1W. M.E.S.
- LP3 12V-PO. No. 2

FIG. 12



CIRCUIT DIAGRAM  
FOR  
CHASSIS ASSEMBLY

AM. REF. No. 10D/1304. TYPE 18C  
AM. REF. No. 10D/1746. TYPE 20

FOR DESCRIPTION OF  
RELAY CODING SEE  
APPENDICES.

PA - 25-PIN PLUG FOR CABLING TO PLUG PA ON MODULATOR UNIT.  
PB - CONTROL UNIT TYPE 271 OR 276  
PC - CONTROL UNIT TYPE 260.

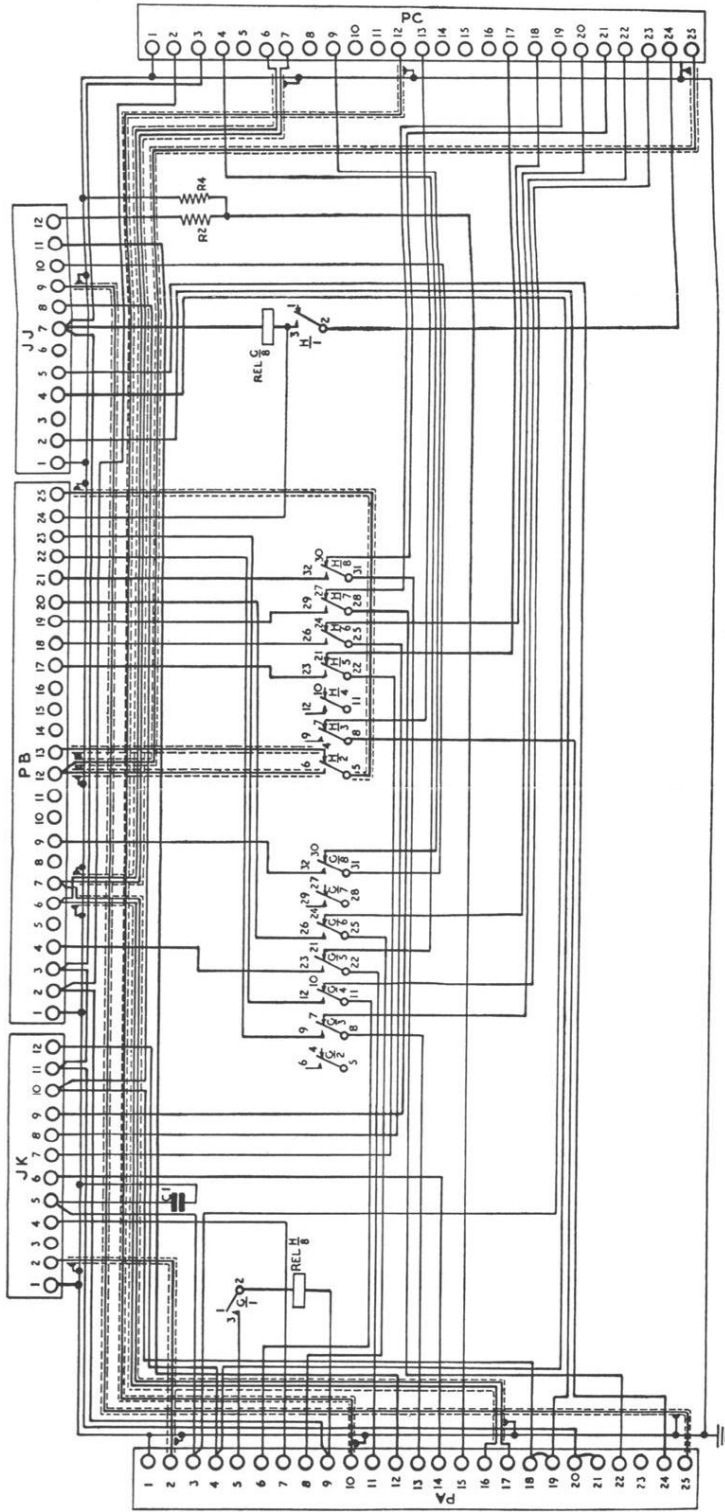
JD - 8-PIN SOCKET CONNECTING TO PLUG PD ON M.F. RECEIVER  
JE - 10-PIN  
JF - 8-PIN  
JG - 8-PIN

PE - TRANSMITTER  
PJ - H.F. TRANSMITTER  
PK - RECEIVER

RI - 270000 OHMS  
R2 - 270000 OHMS  
R4 - 390000 OHMS  
C1 - .1 MFD

FIG. 12B

26  
VOLT



CIRCUIT DIAGRAM

FOR  
CHASSIS ASSEMBLY  
AM. REF. No. DD/174B, TYPE 21

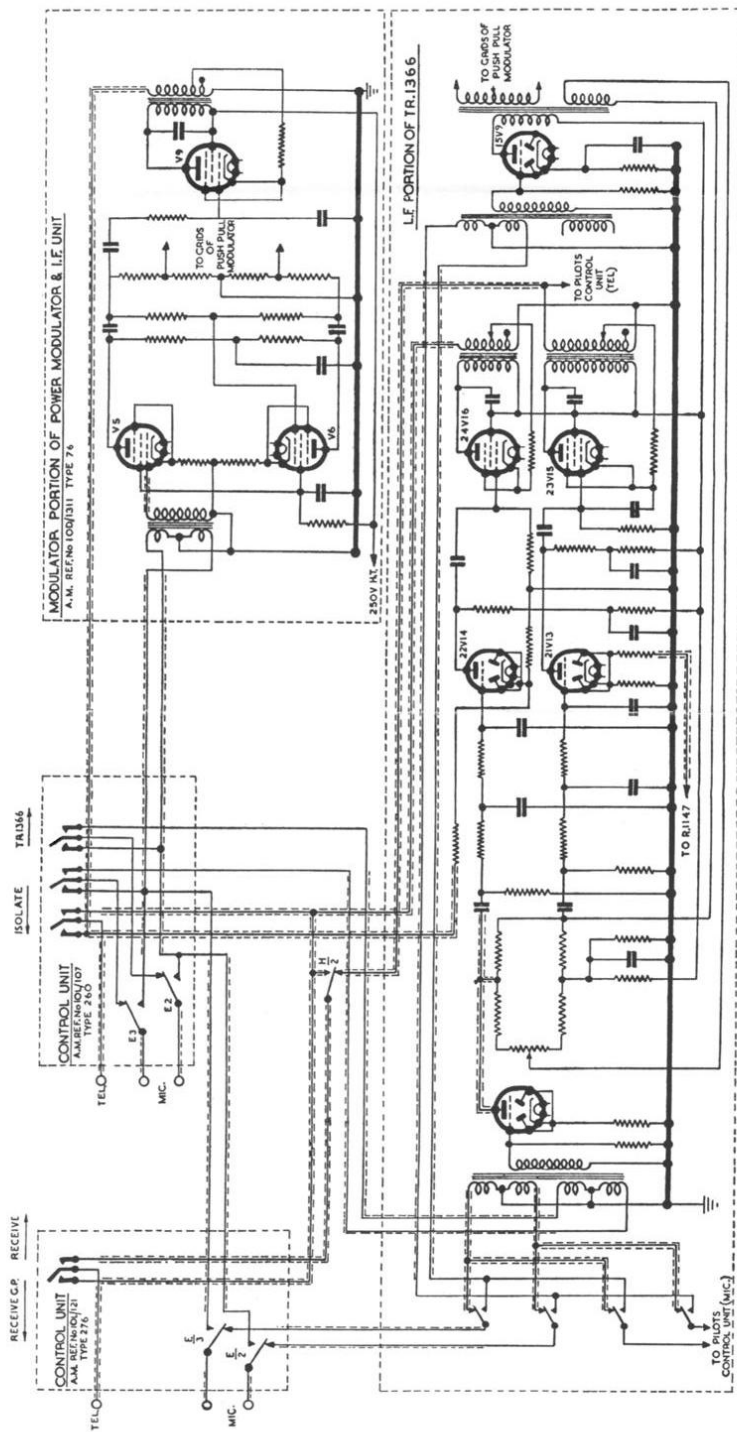
J.J. 12-PIN SOCKET CONNECTING TO PLUG PJ  
ON H.F. TRANSMITTER.  
J.K. . . . . ON H.F. RECEIVER.

PA. 25-PIN PLUG FOR CABLING TO PLUG PA ON MODULATOR UNIT.  
PB. . . . . ON CONTROL UNIT TYPE 271 OR 276  
PC. . . . . ON CONTROL UNIT TYPE 240

R2. 270000 OHMS  
R4. 390000 OHMS  
C1. 1 MFD.

FOR DESCRIPTION OF  
RELAYS SEE  
APPENDICES

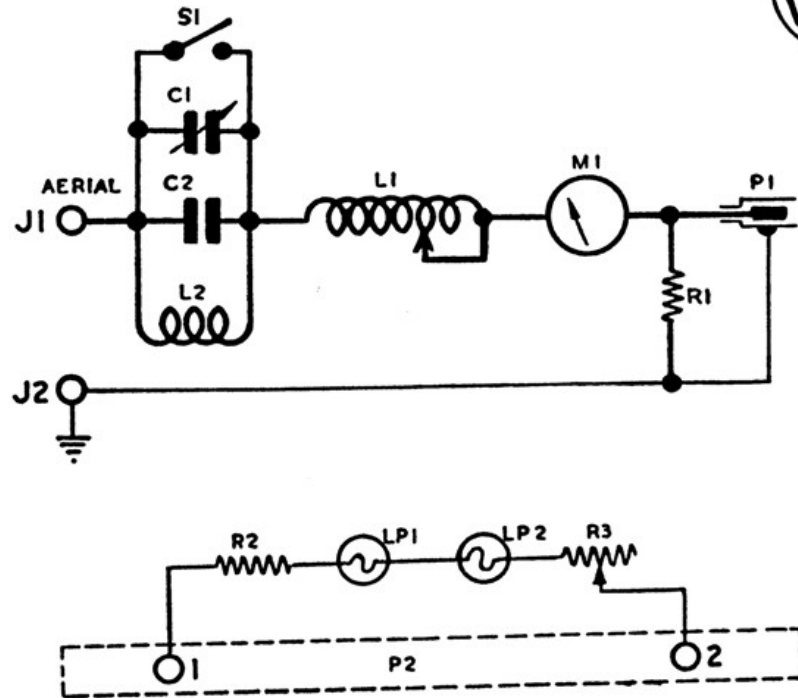
FIG. 13



OVERALL AUDIO CIRCUIT  
OF  
ARI 5206 & TRI366  
IN COMBINATION

FIG. 14

26  
VOLT



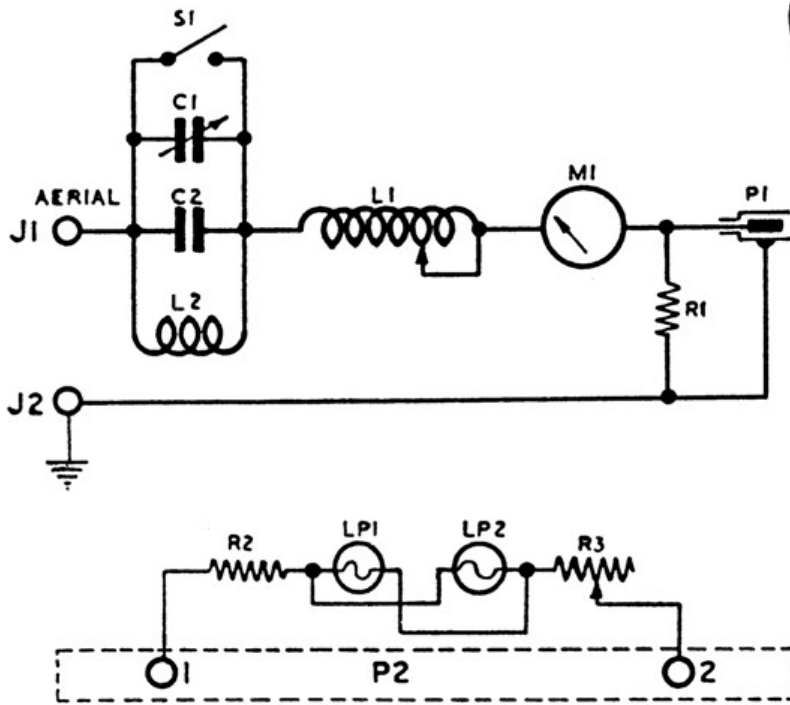
- |    |                       |     |                      |
|----|-----------------------|-----|----------------------|
| R1 | 1500 OHMS.            | P1  | COAXIAL PLUG.        |
| R2 | 20 OHMS.              | P2  | 2-WAY 4-AMP. PLUG.   |
| R3 | 300 OHMS.             | J1  | AERIAL SOCKET.       |
| C1 | 3.5-22.5 MMFD.        | J2  | EARTH SOCKET.        |
| C2 | 70 MMFD.              | LP1 | 12V-1W. M.E.S. LAMP. |
| M1 | 0.3A. THERMO-AMMETER. | LP2 | " " " "              |
| S1 | SINGLE POLE SWITCH.   |     |                      |

CIRCUIT DIAGRAM  
FOR  
AERIAL TUNING UNIT

AM. REF. No. IOD/1673. TYPE 126

# FIG. 14A

13  
VOLT

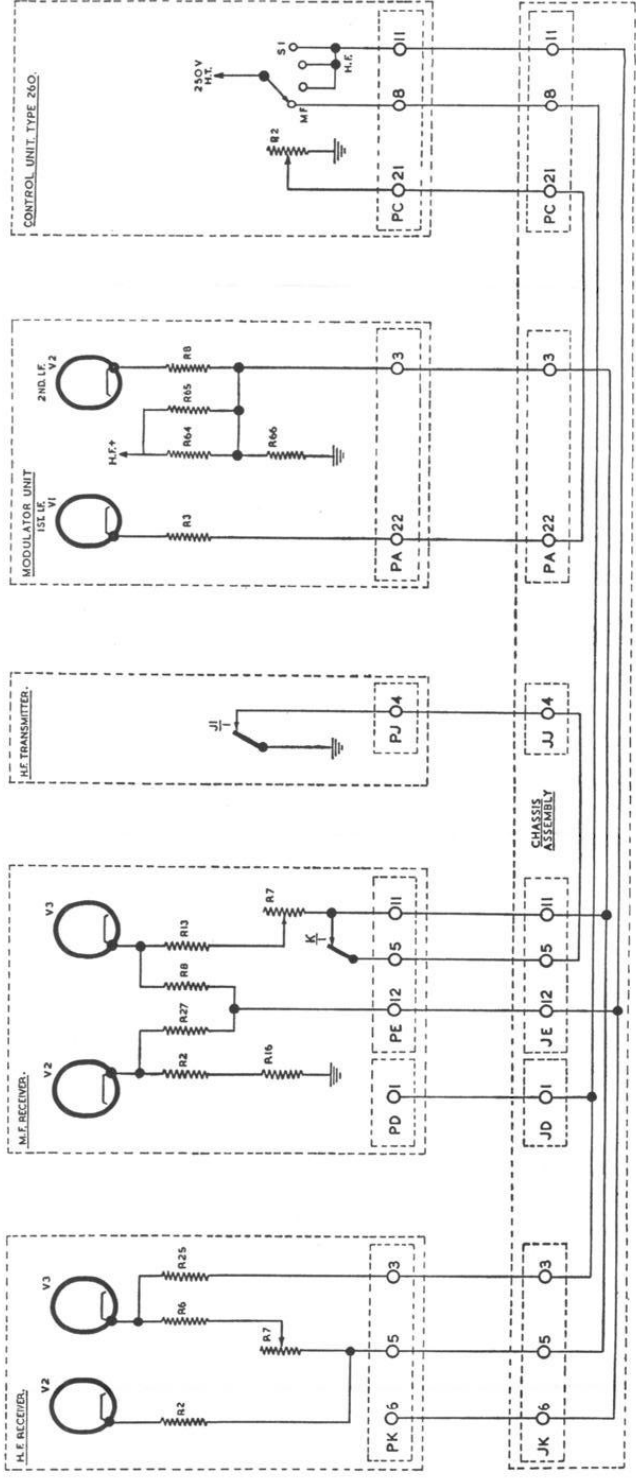


- |    |                     |     |                   |
|----|---------------------|-----|-------------------|
| R1 | 1500 OHMS           | P1  | COAXIAL PLUG.     |
| R2 | 5 OHMS              | P2  | 2-WAY 4-AMP PLUG  |
| R3 | 75 OHMS             | J1  | AERIAL SOCKET     |
| C1 | 3.5-22.5 MMFD.      | J2  | EARTH SOCKET      |
| C2 | 70 MMFD.            | LP1 | 12V. M.E.S. LAMP. |
| MI | 0-3A.THERMO-AMMETER | LP2 | " - " - "         |
| S1 | SINGLE POLE SWITCH  |     |                   |

CIRCUIT DIAGRAM  
FOR  
AERIAL TUNING UNIT

A.M.REF.No.10D/1745 TYPE 126A

FIG. 15



WHEN M.F. RECEIVER IS REMOVED, PINS JES& WEI ARE SHORTED.  
WHEN M.F. TRANSMITTER IS REMOVED, PIN J14 IS SHORTED TO CHASSIS.

RECEIVER MUTING CIRCUIT  
FOR  
ARI 5206