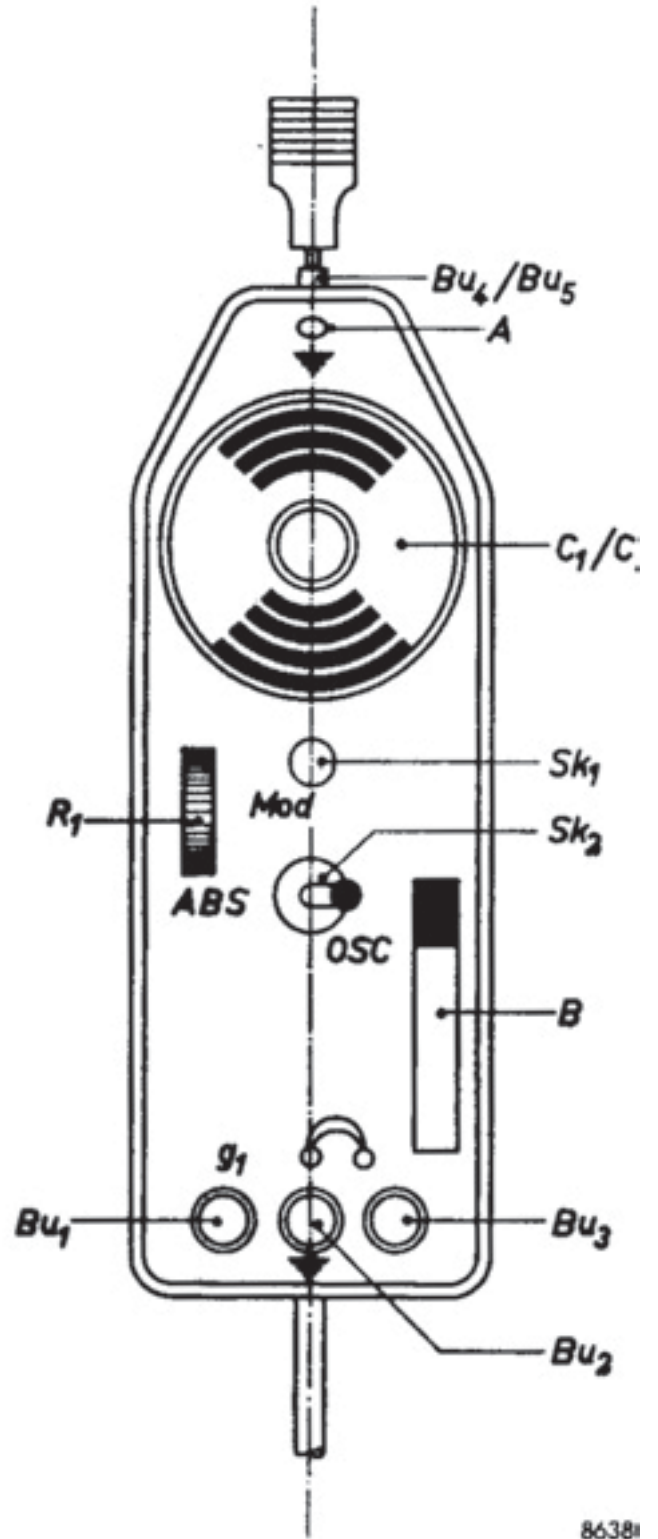


PHILLIPS Griddipper GM 3121

GM 3121



66 400 23.1-18



Reworked by
PAØPGA

This manual was downloaded from **BAMA's**
boatanchor site <http://bama.sbc.edu>



GM 3121-01

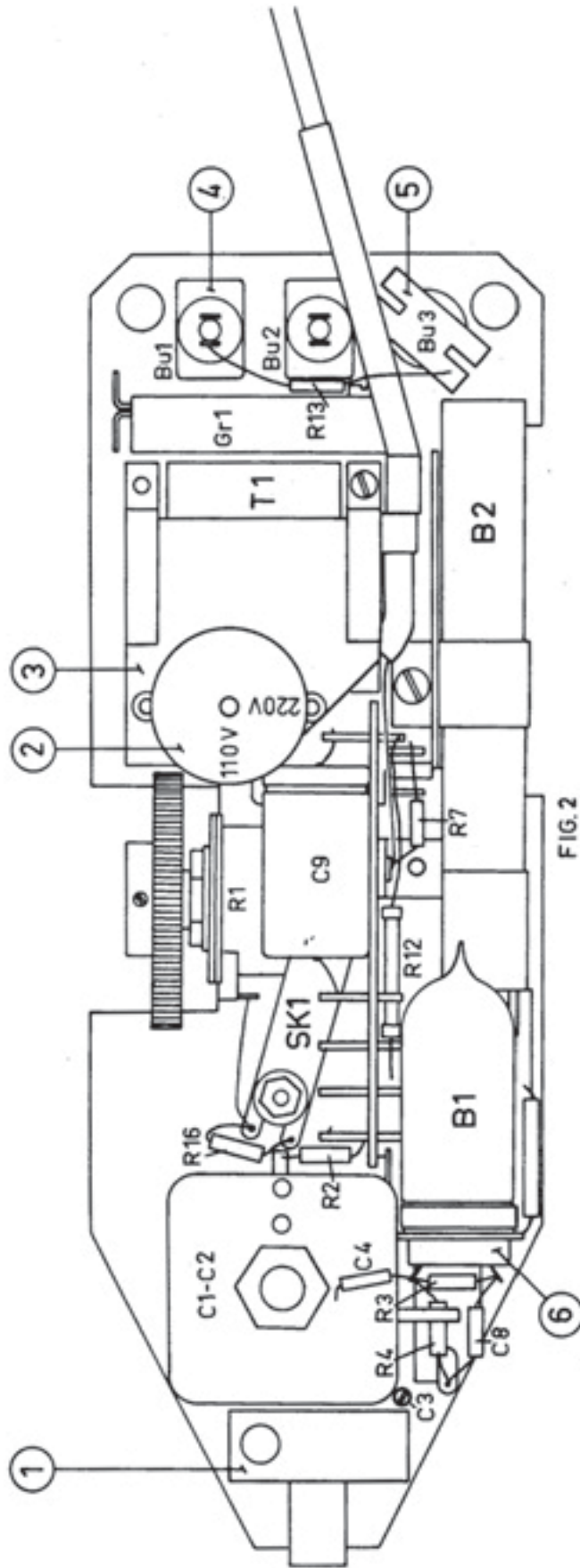


FIG. 2

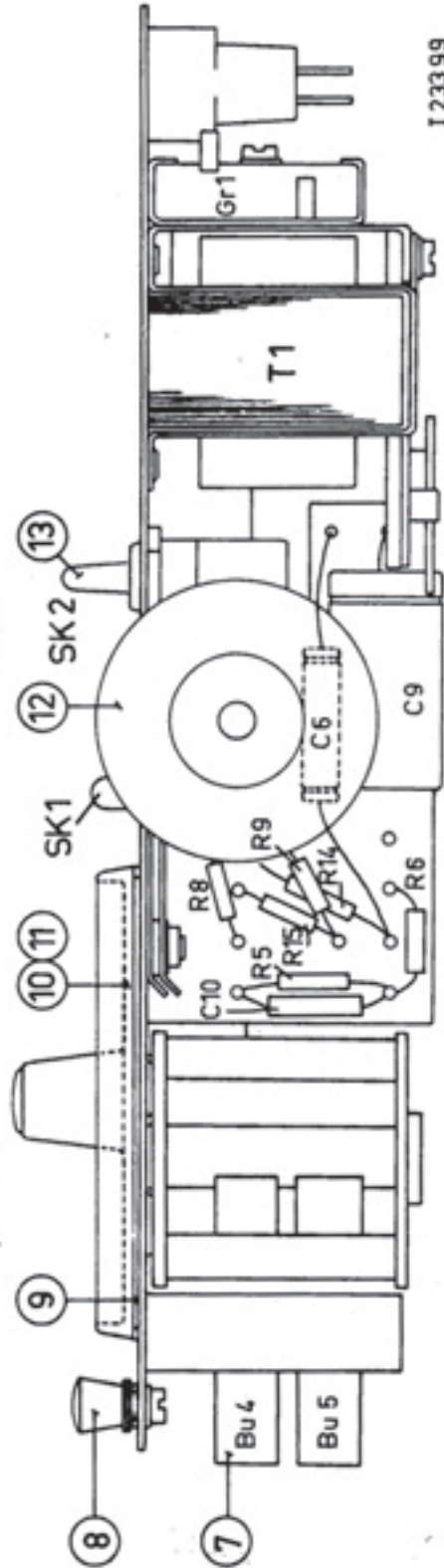


FIG. 3

I 23399



PHILIPS *Service*

PIT-EMA

GM 3121/01



1962

A. GENERAL

A1. PURPOSE

The GM 3121 is designed for :

- supplying a modulated or unmodulated R.F. signal with a frequency range of 2.5 Mc/s - 260 Mc/s.
- determining the resonance frequencies of arbitrary tuned circuits in the above frequency range.
- determining the frequencies of applied R.F. energies in the above frequency range.

A2. FIGURES

- Fig. 1 Circuit diagram
- Fig. 2 Underneath view
- Fig. 3 Side view

A3. TECHNICAL SPECIFICATION

N.B. Whenever numerical values of properties mentioned in the following are given with a tolerance they are guaranteed by us. Numerical values without tolerance serve as a guide and indicate the properties of an average apparatus.

1. Frequency range

The frequency range of 2.5 Mc/s - 260 Mc/s is subdivided into 7 frequency bands by means of 7 interchangeable coils. Continuous adjustment is possible in each band by means of C1-C2.

band 1 : 2,5 - 5 Mc/s	band 5 : 34 - 67 Mc/s
band 2 : 5 - 9,5 Mc/s	band 6 : 67 - 130 Mc/s
band 3 : 9,5 - 18 Mc/s	band 7 : 130 - 260 Mc/s
band 4 : 18 - 34 Mc/s	

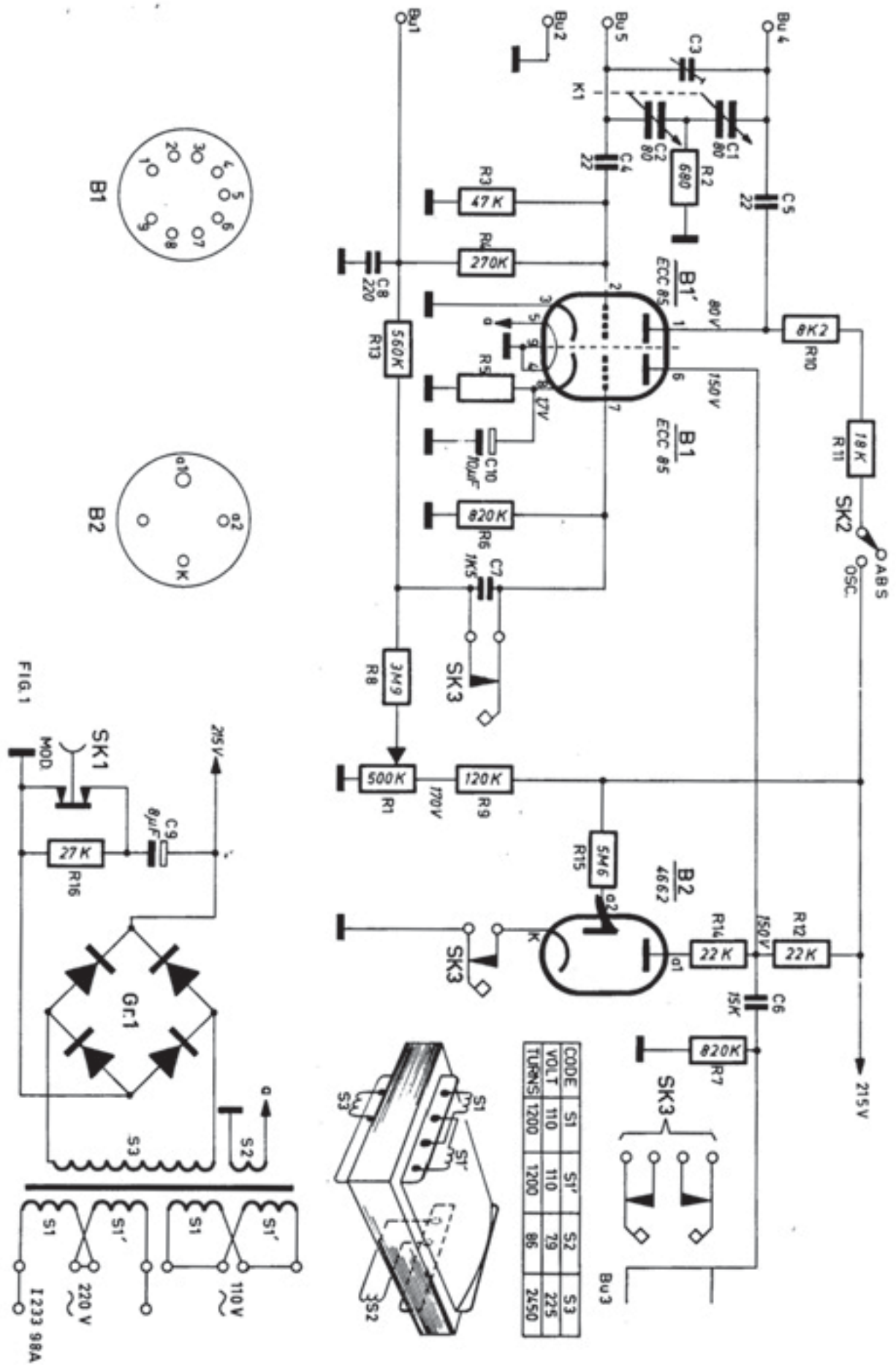
SERVICE INFORMATION									
---------------------	--	--	--	--	--	--	--	--	--



Reworked by
PAØPGA

This manual was downloaded from BAMA's
boatanchor site <http://bama.sbc.edu>







K4XL's BAMA

This manual is provided free of charge from the "Boatanchor Manual Archive", as a service to the Boatanchor community. It was uploaded by someone who wanted to help you repair and maintain your equipment.

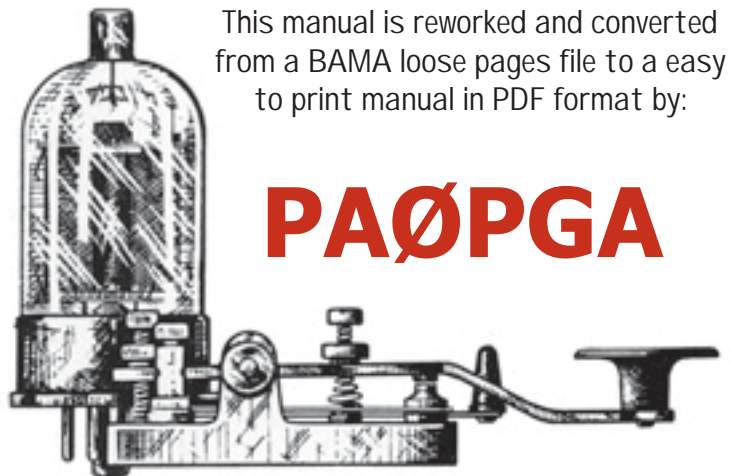
If you paid anyone other than **BAMA** for this manual, you paid someone who is making a profit from the free labor of others, without asking their permission

You may pass on copies of this manual to anyone who needs it. But do it without charge.

Thousands of files are available without charge from **BAMA**. Visit us at: <http://bama.sbc.edu>

**Real radio's have tubes!
Keep them glowing !!**

This manual is reworked and converted from a BAMA loose pages file to a easy to print manual in PDF format by:



PAØPGA

File credits:

nn



**Reworked by
PAØPGA**

This manual was downloaded from **BAMA's** boatanchor site <http://bama.sbc.edu>

